



# CAPSU-PHOTOHELIC® PRESSURE SWITCH/GAGE\*

## Specifications - Installation and Operating Instructions



Series 43000 CAPSU-Photohelic® Switch/Gage

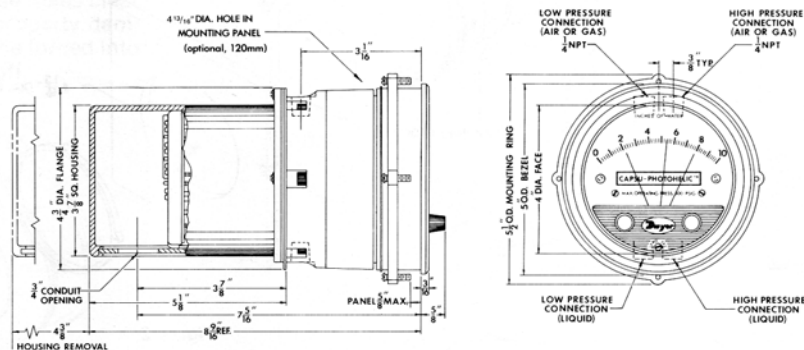


Figure 1

The CAPSU-Photohelic® Switch/Gage is a most versatile, precise pressure switch combined with the CAPSUHELIC® pressure gage. Available with one or two photo-transistor actuated relays. Gage reading is unaffected by switch operation. Easy to adjust set points with knob controls. Applied pressure and switch set points are fully visible at all times. Dead-band is one pointer width—less than 1% of full scale. Double-pole double-throw relays can be easily interlocked to provide variable deadband control. For positive, negative or differential pressures as low as 0 to .5" water column and as high as 0 to 6000 psig full scale; set points as low as .01" WC on .5" scale unit.

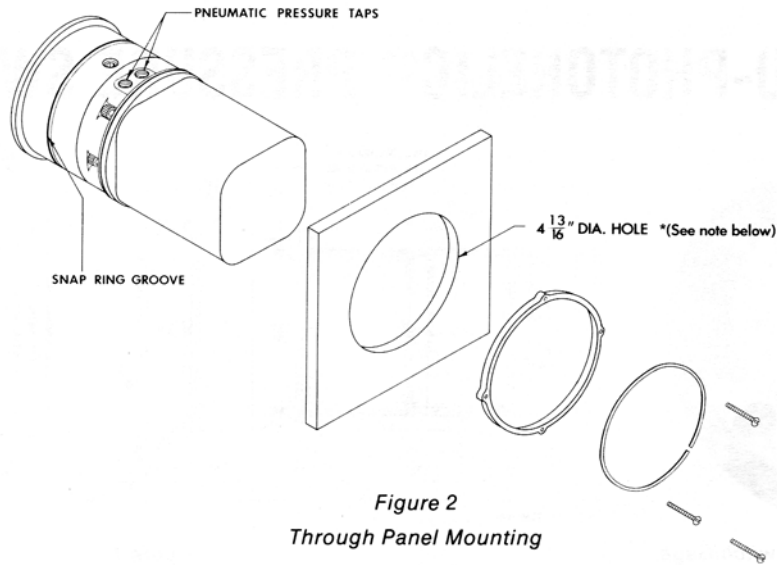
### PHOTOHELIC SENSING—HOW IT WORKS

In a typical control application, the CAPSU-PHOTOHELIC® switch/gage controls between high and low pressure set points. When pressure changes, reaching either set point pressure, the beam from an LED to the limiting phototransistor will be cut off by the helix-driven light shield. The resulting signal change is electronically amplified to actuate its DPDT slave relay, and switching occurs. Dead band between make and break 1% of full scale or less—just enough to assure positive, chatter-free operation.

### SPECIFICATIONS

1. Dimensions: 5" Diameter x 9 3/16" Length
2. Weight: 6 Lbs, 4 oz. (10 Lbs, 6 oz. Brass Case)
3. Bezel Size: 5" O.D. x 4" I.D. across gage face
4. Panel Mounting: 4 13/16" Dia. Hole required; Maximum panel thickness, 5/8".
5. Pressure Connections: 1/4" NPT female, duplicate sets on top and bottom, 436000S Models, single 1/8" NPT female on top.
6. Gage Finish: Baked Gray Epoxy Hammerloid.
7. Pressure Rating: -20" Hg (vacuum) To 500 PSIG. 436000S models, 1.2 x full scale pressure.
8. Ambient Temperature Range: 20°F To 120°F
9. Standard Accessories: Two (2) 1/4" NPT pipe plugs, snap ring, mounting ring, Four (4) #6-32 x 1 1/4" mounting screws.
10. Load Relays: DPDT for each set-point. Rated for 10 Amps resistive at 117 V.A.C., 50-60 Hz.
11. Power Required: 117 V.A.C., 50-60 Hz, 5 Watts average. Optional 220 V or 240 V units available.
12. Conduit Opening: 3/4".
13. Accuracy: ±3% of full scale except ±2% on 43000S & 436000S Models, 4% on 43215, 43220 & 43500.
14. Service: Compatible gases or liquids. For water or water based liquids, use only series 43000B models with brass case. DO NOT use with hydrogen gas due to adverse reaction with rare earth magnet.

\*Patent Nos. 4,011,759 4,030,365



## INSTALLATION

**1. Location:** All parts of the Dwyer CAPSU-PHOTOHELIC® pressure switch/gage are ruggedly constructed and will stand a moderate amount of vibration, physical shock, and handling. Normal care in handling and installation is all that is required. In cases where instrument panel vibration is severe, the panel should be spring mounted or the amplifier-relay unit mounted remotely on a more stable surface. Select a location where the ambient temperature will not exceed 120°F. Pneumatic pressure sensing lines may be run any necessary distance. For example, 250 foot sensing lines will not affect accuracy but will damp the reading slightly. Do not restrict lines. If pulsating pressure or vibration causes excessive pointer oscillation or relay chatter, consult factory for additional damping means. See accessory Bulletin S-101 for fittings.

**2. Position:** The CAPSU-PHOTOHELIC® may be mounted as an integral package or the amplifier-load relay assembly and housing may be mounted remotely from the indicating gage-phototransistor unit. Extension cords with 7 pin plugs and receptacles are available from Dwyer for interconnection of the two units.

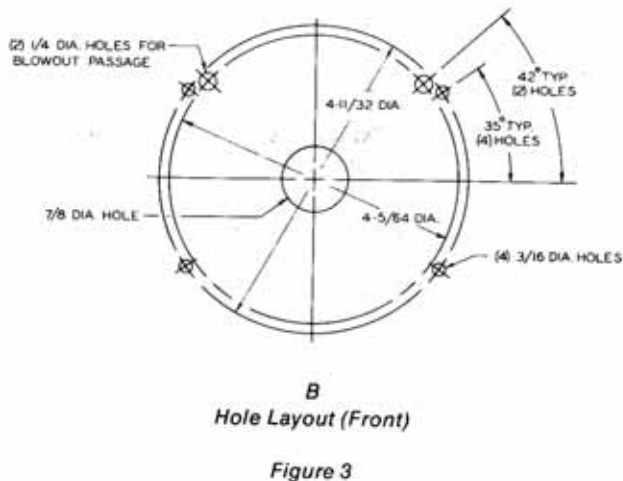
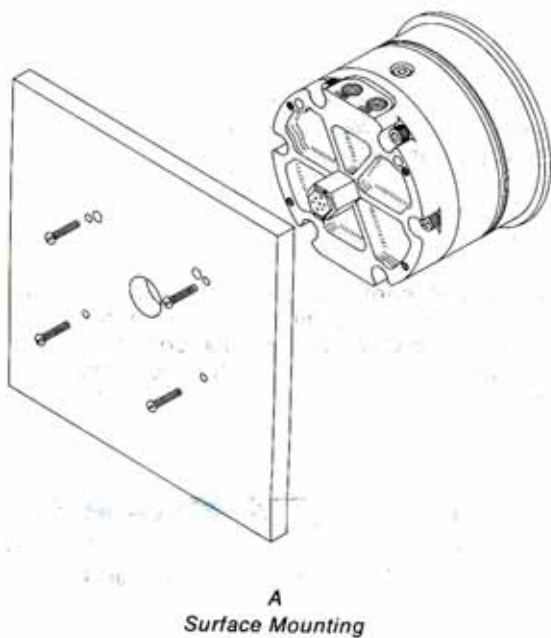
All standard units are calibrated for use with the diaphragm and scale in a vertical position. Special factory calibration is available for applications requiring inclined or horizontal positions. The exceptions are ranges under 5 inches W.C. which are only available for vertical installation.

**3. Mounting:** The CAPSU-PHOTOHELIC® is normally mounted before making electrical connections, as the electrical enclosure is independent of the mounting means and may be removed at any time.

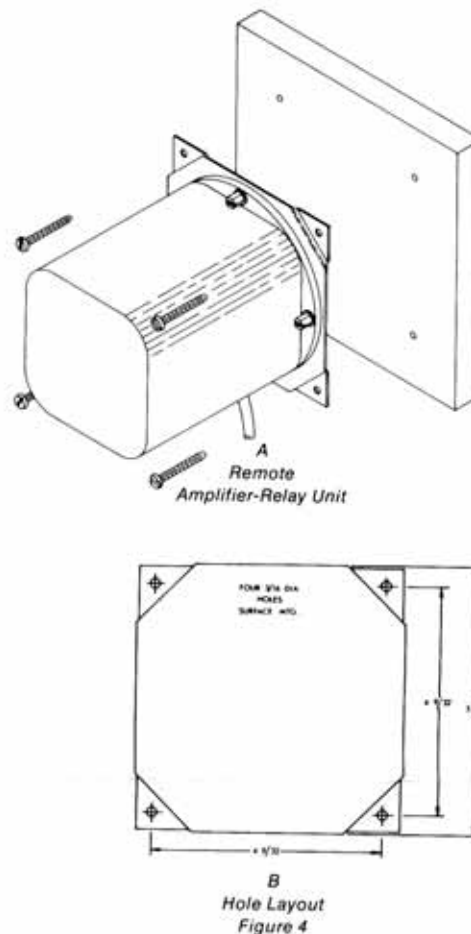
**A. Panel Mounting:** Normal mounting is flush or through panel as shown in Fig. 2. Be sure to allow 4 3/8" extra space behind the unit for electrical enclosure removal. Make a single 4 13/16" diameter hole in the panel. Insert the entire CAPSU-PHOTOHELIC® unit from the front, then slip on the mounting ring and snap ring from the rear. Seat the snap ring in its groove, back up the mounting ring against snap ring and tighten the four (4) 1 1/4" No. 6-32 clamp screws provided. If behind panel space is critical, the amplifier-relay unit can be mounted remotely. See the Remote-Relay Mounting Instructions for details.

\* For convenience, this hole can be made with Model 730E, 120 MM chassis punch manufactured by Greenlee Tool Co. Contact your machine tool distributor. Not available from Dwyer Instruments.

**B. Gage Mounting with Relay Package Remote:** Where it is preferred to install the amplifier-relay unit separate from the gage, (usually due to space limitations) the gage may either be panel mounted as in figure 3A. For surface mounting, use the hole layout in figure 3B. CAUTION: When the gage is surface mounted, two 1/4" dia. holes must be located as shown for blow-out protection. This assures that if the gage is overpressured, thus causing a failure, pressure will be safely vented out the back. Failure to keep these holes clear could result in personal injury and/or property damage since the excessive pressure could be forced into the front cover which would then blow off.



**C. Remote Relays Mounting:** The amplifier – relay unit may be mounted remotely as shown in Fig. 4A. Use the hole layout as shown in Fig. 4B for this option. Additional mounting information for special requirements is available from the factory.



**4. Pressure Connections & Zeroing:** After installation, but before making pressure connections, set the indicating pointer exactly on the zero mark by using the zero adjust screw located near the bottom of the front cover. This adjustment must be made with both high and low taps vented to atmosphere.

Make pressure connections to the 1/4" NPT female taps using adapters appropriate for the type of tubing being used. 1/4" O.D. or larger copper or stainless steel is recommended. Either of the duplicate sets may be used, but normally the upper set is preferred for air or gases and the lower for liquids. This allows condensate to be periodically drained out the bottom on gas service and trapped air to be purged out the top on liquid service. Optional A-314 Bleed Fittings simplify either operation. It is especially important that all air be bled from the gage on liquid service to assure accurate readings.

For differential pressures, use both high and low taps and plug the unused pair. For positive pressure, use either high tap, plug the other, and leave the high side vented to atmosphere. Two 1/4" NPT pipe plugs are furnished with each statement.

**NOTE:** If the Photohelic switch/gage is over pressured, pointer may "jump" from full scale back to zero and remain there until the excess pressure condition is relieved. Users should be aware of possible false zero pressure indications under this conditions.

## ELECTRICAL CONNECTIONS

**1. Cover:** The amplifier-relay unit has an easy to remove housing. Remove the three (3) screws as shown in Fig. 5 and slide the housing off. Make all the electrical connections before reinstalling and refastening the housing.

**2. Conduit:** Electrical access to the connection box portion of the relay housing is by bottom opening for 3/4" conduit. Use of flexible conduit is recommended. It should be supported from the panel or other suitable surface to prevent the wiring system from exerting undue strain on the instrument. See Fig. 5.

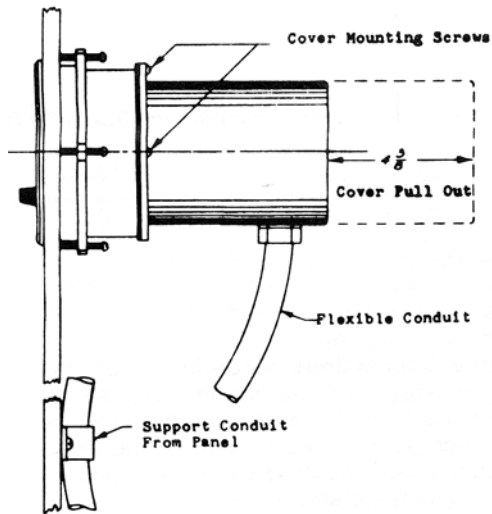
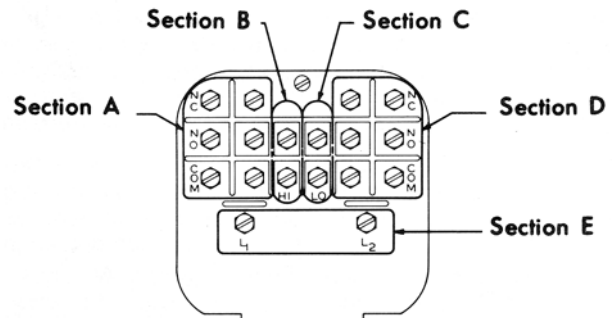


Figure 5  
Terminal Board

**3. Terminal or Connection Board Layout:** In Fig. 6, "Terminal Board," **Section A** contains the connections for the load or slave relay actuated by the high or right set-point phototransistor. This relay is a double pole, double throw type. The two top connections are normally closed, the two middle connections are normally open, and the bottom connections are the common pair. The relay is in its normal or De-Energized position when pressure is below the right hand set-point.

**Section D** is exactly the same as **Section A** except that its load or slave relay is controlled by the low or left set-point. The De-Energized position is below the left hand pointer set-point.

**Section B** contains the external connections to the holding coil circuit for the high or right set-point relay and **Section C** contains similar connections for the low or left set-point relay. The function and use of these connections varies somewhat depending on the circuit style of the instrument. See paragraphs 5 and 6 for details.



**CAUTION:** Do not apply electrical current to terminals in sections B and C.

Figure 6  
Mounting Details

**Section E** contains the power connections for the control unit transformer primary. The transformer in turn supplies reduced voltage power for the LED, phototransistor, amplifier unit, and load relay pull in and holding coils. Connections must always be made to this section in order to put the unit in operation. Standard units are designed to 117 V.A.C. input to the transformer. Special units are also available for other voltages.

**Separate Ground Wire** attachment is provided for by a No. 6-32 screw on the mounting bracket near the conduit opening. An additional ground wire connection is located on the side of the gage body for use when the amplifier-relay unit is mounted remotely.

**Single Set-Point** instruments are furnished with the right or high set-point components and circuitry in place. These are connected to Sections A and B of the terminal board. The left or low set-point components are omitted.

**4. Circuit Style:** The CAPSU-PHOTOHELIC® is available with several factory installed optional internal circuits. They are identified as to style by a label shown in Fig. 7. This label is mounted prominently on the terminal board of each instrument. The letter H denotes a circuit in which the relay can be made to latch or remain energized after pressure increase to its set-point.

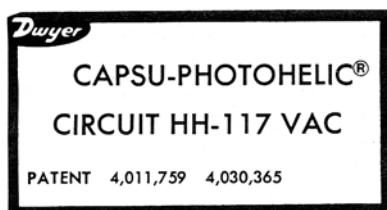


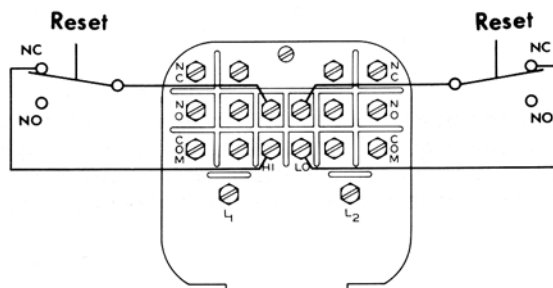
Figure 7  
Circuit Label

The letter L denotes a circuit in which the relay can be made to latch or remain de-energized after pressure decrease to its set-point. Two letters are required to fully identify a dual set-point unit. Thus, circuit style HH, which is standard, is a dual set-point circuit which has provisions for latching on pressure increase to either set-point. Single relay units are identified by the letters SR followed by H for the standard unit or L for the special low latch unit. Units for use with other than standard 117 VAC will be so indicated on the label.

**5. Dual Set Point Automatic Reset:** Circuit Style HH is used for simple on-off switching applications. To place in service, connect load circuits to the appropriate terminals in Section A (Fig. 6) for the right set-point and Section D for the left set-point. Note that the N.O. contacts are open when the gage pressure pointer is to the left of the set-point pointers. No connections are necessary in Sections B and C. Make external ground connections as required and connect power to Section E for the control unit. To use circuit style LL for automatic reset, a jumper wire must be installed between the upper and lower terminals in sections B and/or C.

**6. Dual Set Point Manual Reset:** Circuit Style HH may also be used for manual reset applications where it is desired to have maintained contact on either relay following pressure increase above its set-point. Load or signal connections are made to the appropriate terminals in Sections A and D (as in paragraph 5 above). Connect terminals in Sections B and C through normally closed switches or push buttons as shown in Fig. 8. Use of "dry-circuit" type switches such as Dwyer Part No. A-601 with palladium, gold, etc. or rotary wiping action type contacts it recommended. Make external ground connections as required and connect power to Section E for the control unit.

Circuit style LL is used for manual reset applications which require that contact be maintained following pressure decrease below the set-point. Load connections are made to the appropriate terminals in Sections A and D. A normally open type manual reset switch such as Dwyer Part No. A-601 is connected to the terminals in sections B and C. The circuit must be "armed" by momentarily closing the switch while the black pointer is to the right of the set-point. From that point on, the circuit will latch on pressure decrease below the set-point and remain latched on pressure increase until manually reset with the optional switch.



**CAUTION:** Do not apply electrical current to terminals in sections B and C.

Figure 8  
Manual Reset with Circuit HH

## 7. Dual Set Point Automatic and Manual Reset Combinations:

Circuit style HH may be used with either set-point wired and operating as in paragraph 5 above and other set-point wired and operating as in paragraph 6.

## 8. High Low Limit Control–Dual Set-Point:

Circuit Style HH may be used to control fans, dampers, pumps, etc., between the set-points of a CAPSU-PHOTOHELIC®. To accomplish this, use one set-point relay to reset the other as shown in the wiring diagram Fig. 9. In this typical application, the load (for instance a fan) would be connected to the N.C. contacts of the right set-point relay. Section A (Fig. 6). On pressure rise to the right set-point, its relay would pull in and hold even though pressure might then fall below that set-point. If the pressure continued to fall to the left set-point, its relay would automatically be DE-ENERGIZED, return to its normal position and in so doing, open the holding coil circuit from Section B (Fig. 6). The right set-point relay would thus be reset and the cycle could repeat.

## 9. Dual Set-Point Special Purpose Circuits:

Circuit Style LL may be used where manual reset following maintained contact on pressure decrease to either set-point is desired. Circuit Styles HL and LH are combination units. For special combinations of features, special units, and detailed instructions regarding their use, consult the factory.

## 10. Single Set-Point PHOTOHELIC®:

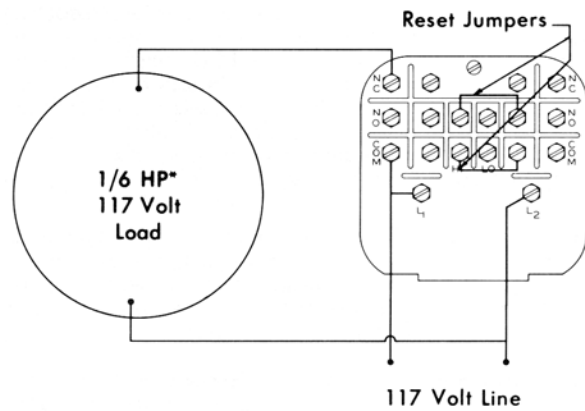
The single set-point CAPSU-PHOTOHELIC® is furnished with the right set-point only. Terminals in Section A and B (Fig. 6) are connected to this relay. Circuit Style SRH is wired for automatic reset as in paragraph 5 above. Manual reset is accomplished by adding a normally closed reset switch or push button to the circuit as described in paragraph 6 above.

## 11. Single Set-Point Special:

Manual reset after actuation on falling pressure can be obtained by using Circuit Style SRL. Consult the factory for special units and detailed instructions regarding their use.

## 12. Placing in Service:

In normal operation each relay is de-energized when the pressure applied to the instrument is below its set-point. Special low-latching units will ordinarily have to be reset before placing on the line in normal operation.



*\*Note: For larger motors, use the CAPSU-Photohelic® in a maintained contact, 117 Volt Control or Push Button Circuit of the motor starter.*

Figure 9  
High-Low Limit Control  
(Circuit HH)

**13. Failure Mode:** The CAPSU-PHOTOHELIC® circuit design provides certain protection in the event of a loss of pressure or electrical power. In either case, both relays will de-energize, returning to their normal "zero pressure" state. The exceptions to this are models with center zero ranges. Because the relays on all standard models are always energized when the indicating (black) pointer is to the right of their respective set points, the relay action on loss of pressure will depend on set-point position, since either of them could be located to the left of zero. As an example; if the left pointer were set at -2 in. w.c. and negative pressure was -3 in. w.c., a loss of that pressure would allow the black pointer to return to the center and thus cause the low set-point relay to energize.

If the LED should fail, only the left-low relay will de-energize. The right-high relay will react as if pressure were above its set-point and will remain energized even though pressure might be below that setting. In this situation, only termination, only termination of electrical power will allow the right-high relay to de-energize.

## MAINTENANCE AND SERVICE

Dwyer CAPSU-PHOTOHELIC® Switch/Gages are precision instruments, expertly assembled and calibrated at the factory. They require no lubrication or periodic servicing. If the interior is protected from dust, dirt, corrosive gases and fluids, years of trouble-free service may be expected. Zero adjustment should be checked and reset occasionally to maintain accuracy. Any repairs necessary to either the Dwyer Capsuhelic® pressure gage or the electronic components should be performed by a trained instrument mechanic. In most cases, this is best accomplished by returning the complete CAPSU-PHOTOHELIC® Switch/Gage to the Dwyer factory.

SERIES 43000

CAPSU-PHOTOHELIC®

PRESSURE SWITCH/GAGE

MODELS AND RANGES

Model Number	Range, Inches of Water	Minor Div.	Model Number	Range, Zero Center Inches of Water	Minor Div.	Model Number	Range, MM of water	Minor Div. MM	Model Number	Range, Pascals	Minor Div. Pascals
43000-0	0-0.5	.01	43302	1-0-1	.05	43000-20 MM	0-20	.50	43000-125 Pa	0-125	5.0
43001	0-1.0	.02	43304	2-0-2	.10	43000-25 MM	0-25	.50	43000-250 Pa	0-250	5.0
43002	0-2.0	.05	43310	5-0-5	.20	43000-50 MM	0-50	1.0	43000-500 Pa	0-500	10.0
43003	0-3.0	.10	43320	10-0-10	.50	43000-80 MM	0-80	2.0	43000-750 Pa	0-750	25.0
43004	0-4.0	.10	43330	15-0-15	1.0	43000-100 MM	0-100	2.0	Model Number	Range, Zero Center Pascals	Minor Div. Pascals
43005	0-5.0	.10									
43006	0-6.0	.20							43300-500 Pa	250-0-250	10.0
43008	0-8.0	.20	Model Number	Range, PSIG	Minor Div. PSIG						
43010	0-10	.20							Model Number	Range, Kilopascals	Minor Div. Kilopascals
43015	0-15	.50	43201	0-1	.02	Model Number	Range, CM of water	Minor Div. CM			
43020	0-20	.50	43202	0-2	.05				43000-1 kPa	0-1	.02
43025	0-25	.50	43203	0-3	.10	43000-15 CM	0-15	.50	43000-1.5 kPa	0-1.5	.05
43030	0-30	1.0	43204	0-4	.10	43000-20 CM	0-20	.50	43000-2 kPa	0-2	.05
43040	0-40	1.0	43205	0-5	.10	43000-25 CM	0-25	.50	43000-3 kPa	0-3	.10
43050	0-50	1.0	43210	0-10	.20	43000-40 CM	0-40	1.0	43000-4 kPa	0-4	.10
43060	0-60	2.0	43215	0-15	.50	43000-50 CM	0-50	1.0	43000-5 kPa	0-5	.10
43080	0-80	2.0	43220	0-20	.50	43000-80 CM	0-80	2.0	43000-8 kPa	0-8	.20
43100	0-100	2.0	43230S	0-30	1.0	43000-100 CM	0-100	2.0	43000-10 kPa	0-10	.20
43150	0-150	5.0	43240S	0-40	1.0	43000-150 CM	0-150	5.0	43000-15 kPa	0-15	.50
43200	0-200	5.0	43260S	0-60	2.0	43000-200 CM	0-200	5.0	43000-20 kPa	0-20	.50
43300	0-300	10.0	43280S	0-80	2.0	43000-250 CM	0-250	5.0	43000-25 kPa	0-25	.50
43400	0-400	10.0	43210S	0-100	2.0	43000-300 CM	0-300	10.0	43000-30 kPa	0-30	1.0
43500	0-500	10.0	43220S	0-200	5.0						
			43230S	0-300	10						
			43600S	0-400	10	Model Number	Range, Zero Center CM of Water	Minor Div. CM	Model Number	Range, Zero Center Kilopascals	Minor Div. Kilopascals
			43600S	0-600	20						
			43601S	0-1000	20						
			43602S	0-2000	50	43300-4 CM	2-0-2	.10	43300-1 kPa	.5-0-.5	.02
			43604S	0-4000	100	43300-10 CM	5-0-5	.20	43300-3 kPa	1.5-0-1.5	.10
			43606S	0-6000	200	43300-30 CM	15-0-15	1.0			

**Note:** The CAPSU-Photohelic® pressure switch/gage may be used in an Underwriters Laboratories approved industrial control panel if the usage conforms to U/L specifications for the acceptance of unlisted components.

# CAPSU-Photohelic® Switch/Gage

SERIES NO. 43000

## EXPLODED VIEW

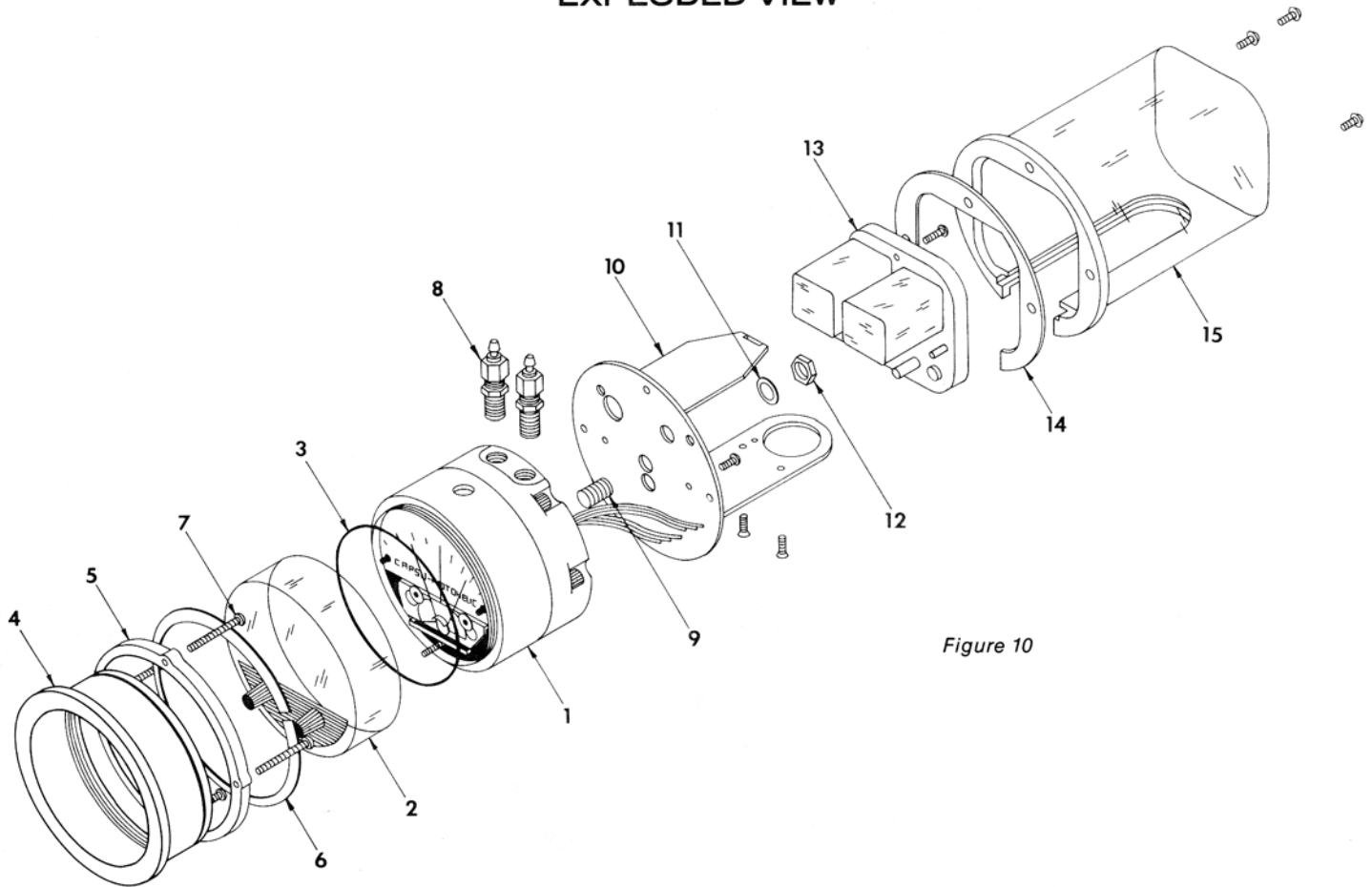


Figure 10

1. Capsu-Photohelic® Gage Body & Sensor Assembly.
2. Cover, Knob and Zero Adjust Assembly.
3. "O" Ring Seal for Cover.
4. Bezel with Groove for Snap Ring.
5. Mounting Ring.
6. Snap Ring (Mounting).
7. Screws for Mounting Ring, #6-32 x 1 1/4" RHMS, (4) Required.
8. Optional A-314 Bleed Fitting, 1/4" NPT.
9. 1/8" NPT Mounting Stud.
10. Flange Plate and Bracket Assembly for Circuit Board with Mounting Screws.
11. Lock Washer.
12. 1/8" NPT Mounting Nut.
13. Amplifier-Relay Circuit Assembly.
14. Gasket for Housing.
15. Housing for Amplifier-Relay Unit with (3) #6-32 x 5/16" RH Machine Screws.
16. 1/4" NPT Pipe Plugs (Not Shown).

**When corresponding with the factory regarding CAPSU-Photohelic® switch/gage problems, refer to the call-out numbers in this view. Be sure to include range, single or double circuit style letters where required. Field repair is not recommended; contact the factory for service information.**