

STAHL

### CLASSIFICATIONS

NEC- Class I, Zones 1 & 2 AEx de II C T6  
Class I, Division 2, Groups A,B,C,D  
Class II, Division 2, Groups F,G  
Class III

#### Enclosure Type:

stainless steel version  
3, 4 & 4X; IP66,  
carbon steel version, painted  
3 & 4; IP66,



File No. E182378

CEC- Class I, Zones 1 & 2 Ex de II T6  
Class I, Division 2, Groups A,B,C,D  
Class II, Divisions 1 & 2, Groups E,F,G  
Class III



#### CSA ENCLOSURES

stainless steel version  
3, 4 & 4X; IP66  
carbon steel version, painted  
3 & 4; IP66

File No. LR 99480



II 2G Ex ed IIC T6, IP66  
PTB 01 ATEX 1001



II 2D IP6X, T80°C, T95°C or T130°C  
LCIE 03 ATEX 6292

#### Special Ambient Temperature Range:\*

+55°C (+131°F) Max.  
-55°C (-67°F) Min.

\*Consult Factory

#### Features:

8125 series control stations are designed to incorporate control and display devices. The number of units installed depends on the control station size and the space required to fit each device.

- Enclosures in galvanized sheet steel or 316 stainless steel
- 7 basic enclosure sizes
- Different enclosure depths
- Options:
  - Flanges
  - Cover Hinges
- Enclosures can be coupled together

For entry hardware see pages C15, C17 & C18

#### Components:

- Contact blocks
- Pilot lights
- Illuminated buttons
- Control switches
- Ammeters
- Voltmeters

For component data  
see pages F7-F14 and F31-33.

IN CARBON STEEL OR STAINLESS STEEL



**8082**  
Control Unit with actuators  
7/16" /o.d. 38mm



**8010**  
LED Pilot Light



**8082/8010**  
Illuminated Pushbutton

## Typical Panel Configurations

ENCLOSURE SIZE	DIMENSIONS Inches mm	PANEL CONFIGURATIONS	CATALOG NUMBER				
		<p>Panel configurations Maximum quantity of components such as; Contact Blocks 8082, Pilot Lights 8010, and Illuminated Pushbuttons 8082/8010.</p>					
<p><b>4</b></p> <p>a            b            c</p> <p>6.95"      4.58"      3.58"</p> <p>176 mm    116 mm    91 mm</p> <p>Side facing down</p>		<p>Fig. 4.1</p>	<p><b>8125/5041-□□</b></p>				
<p><b>5</b></p> <p>a            b            c</p> <p>6.95"      6.95"      3.58"</p> <p>176 mm    176 mm    91 mm</p> <p>Side facing down</p>		<p>Fig. 5.1      Fig. 5.2      Fig. 5.3      Fig. 5.4</p>	<p><b>8125/5051-□□</b></p>				
<p><b>6</b></p> <p>a            b            c</p> <p>9.29"      6.95"      3.58"</p> <p>236 mm    176 mm    91 mm</p> <p>Side facing down</p>		<p>Fig. 6.1      Fig. 6.2      Fig. 6.3      Fig. 6.4</p>	<p><b>8125/5061-□□</b></p>				
<p><b>7</b></p> <p>a            b            c</p> <p>14.17"     6.95"      3.58"</p> <p>360 mm    176 mm    91mm</p> <p>Side facing down</p>		<p>Fig. 7.1      Fig. 7.2</p>	<p><b>8125/5071-□□</b></p>				
		<p>Enclosure material:</p> <table border="1"> <tr> <td>sheet steel, painted</td> <td>1</td> </tr> <tr> <td>stainless steel</td> <td>2</td> </tr> </table>	sheet steel, painted	1	stainless steel	2	
sheet steel, painted	1						
stainless steel	2						
<b>Add to catalog number:</b>	Specify side facing down A or D (see above)						

For dimensional information see page F30

IN CARBON STEEL OR STAINLESS STEEL

## Typical Panel Configurations

ENCLOSURE SIZE	DIMENSIONS Inches mm	PANEL CONFIGURATIONS	CATALOG NUMBER				
		<p>Panel configurations Maximum quantity of components such as; Contact Blocks 8082, Pilot Lights 8010, and Illuminated Pushbuttons 8082/8010.</p>					
<b>7</b> a 14.17" 360 mm  Side facing down	b 6.95" 176 mm	c 3.58" 91 mm	<b>8125/5071-□□</b> 				
<b>8</b> a 14.17" 360 mm  Side facing down	b 14.17" 360 mm	c 3.58" 91 mm	<b>8125/5081-□□</b> 				
<b>9</b> a 28.62" 727 mm  Side facing down	b 14.17" 360 mm	c 3.58" 91 mm	<b>8125/5091-□□</b> 				
Enclosure material: <table border="1" style="display: inline-table; vertical-align: middle;"> <tr> <td>sheet steel, painted</td> <td>1</td> </tr> <tr> <td>stainless steel</td> <td>2</td> </tr> </table>		sheet steel, painted	1	stainless steel	2		
sheet steel, painted	1						
stainless steel	2						
<b>Add to catalog number:</b>		Specify side facing down A or D (see above)					

For dimensional information see page F30



IN CARBON STEEL OR STAINLESS STEEL



**8082**  
Contact Blocks with Double Momentary Pushbutton

**8008**  
Control Switches

**8405**  
Ammeter

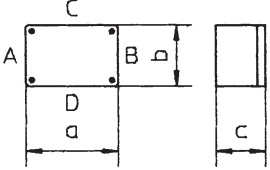
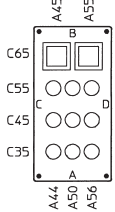
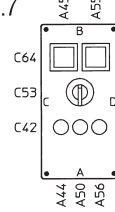
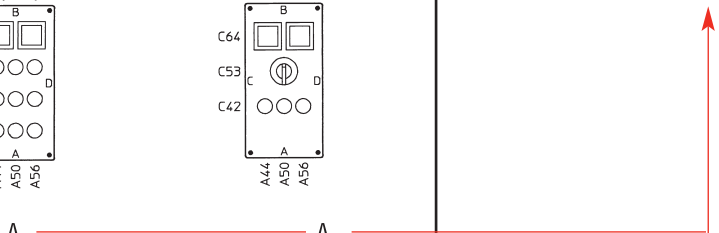
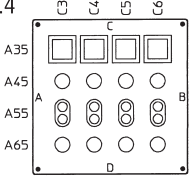
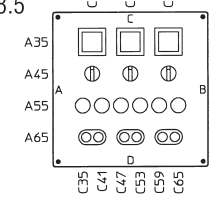
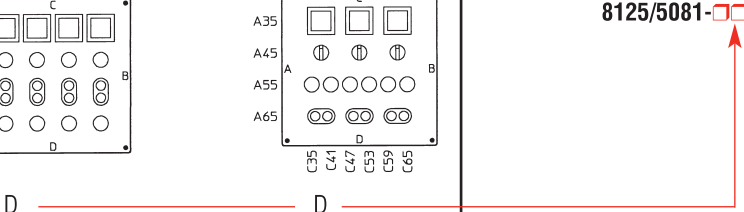
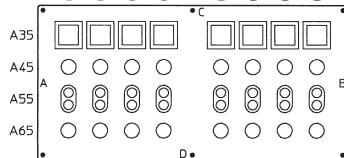
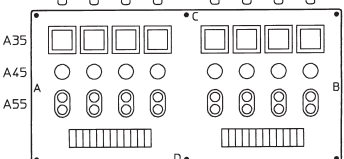
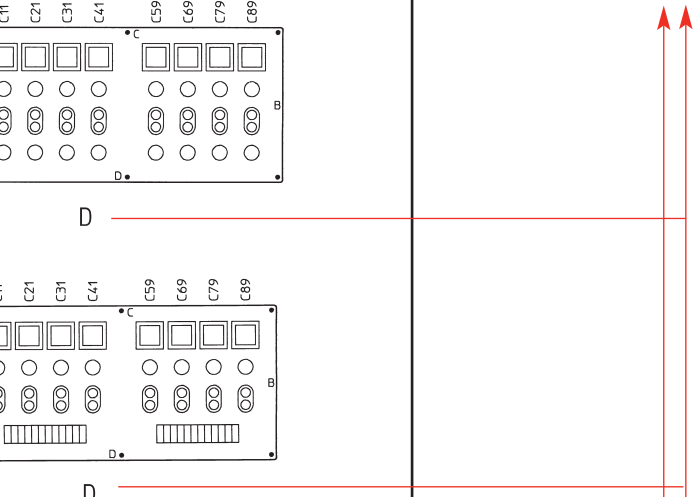
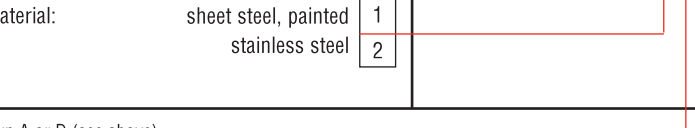
### Typical Panel Configurations

ENCLOSURE SIZE	DIMENSIONS Inches mm	PANEL CONFIGURATIONS	CATALOG NUMBER
		<p>Panel configurations Maximum quantity of components such as; Contact Blocks 8082, Pilot Lights 8010, Illuminated Pushbuttons 8082/8010, Control Switches 8008 and Ammeters 8405.</p>	
<p><b>4</b></p> <p>a            b            c</p> <p>6.95"      4.58"      3.58"</p> <p>176 mm   116 mm   91 mm</p> <p>Side facing down</p>		<p>Fig. 4.4      Fig. 4.5      Fig. 4.6      Fig. 4.7</p> <p>A — A — D — D</p>	<p><b>8125/5041-□□</b></p>
<p><b>5</b></p> <p>a            b            c</p> <p>6.95"      6.95"      3.58"</p> <p>176 mm   176 mm   91mm</p> <p>Side facing down</p>		<p>Fig. 5.5      Fig. 5.6</p> <p>D — D</p>	<p><b>8125/5051-□□</b></p>
<p><b>6</b></p> <p>a            b            c</p> <p>9.29"      6.95"      3.58"</p> <p>236 mm   176 mm   91 mm</p> <p>Side facing down</p>		<p>Fig. 6.5      Fig. 6.6</p> <p>A — A</p>	<p><b>8125/5061-□□</b></p>
<p><b>7</b></p> <p>a            b            c</p> <p>14.17"     6.95"      3.58"</p> <p>360 mm   176 mm   91mm</p> <p>Side facing down</p>		<p>Fig. 7.5</p> <p>D</p>	<p><b>8125/5071-□□</b></p>
<p><b>Add to catalog number:</b></p>	<p>Enclosure material:</p> <p>sheet steel, painted      1</p> <p>stainless steel            2</p>		
	<p>Specify side facing down A or D (see above)</p>		

For dimensional information see page F30

IN CARBON STEEL OR STAINLESS STEEL

## Typical Panel Configurations

ENCLOSURE SIZE	DIMENSIONS Inches mm	PANEL CONFIGURATIONS	CATALOG NUMBER								
		<p>Panel configurations Maximum quantity of components such as; Contact Blocks 8082, Pilot Lights 8010, Illuminated Pushbuttons 8082/8010, Control Switches 8008 and Ammeters 8405.</p>									
<p><b>7</b></p> <table border="0"> <tr> <td>a</td> <td>b</td> <td>c</td> </tr> <tr> <td>14.17"</td> <td>6.95"</td> <td>3.58"</td> </tr> <tr> <td>360 mm</td> <td>176 mm</td> <td>91 mm</td> </tr> </table> <p>Side facing down</p>	a	b	c	14.17"	6.95"	3.58"	360 mm	176 mm	91 mm	<p>Fig. 7.6</p>  <p>Fig. 7.7</p>  <p>A _____ A _____</p>	<p><b>8125/5071-□□</b></p> 
a	b	c									
14.17"	6.95"	3.58"									
360 mm	176 mm	91 mm									
<p><b>8</b></p> <table border="0"> <tr> <td>a</td> <td>b</td> <td>c</td> </tr> <tr> <td>14.17"</td> <td>14.17"</td> <td>3.58"</td> </tr> <tr> <td>360 mm</td> <td>360 mm</td> <td>91 mm</td> </tr> </table> <p>Side facing down</p>	a	b	c	14.17"	14.17"	3.58"	360 mm	360 mm	91 mm	<p>Fig. 8.4</p>  <p>Fig. 8.5</p>  <p>D _____ D _____</p>	<p><b>8125/5081-□□</b></p> 
a	b	c									
14.17"	14.17"	3.58"									
360 mm	360 mm	91 mm									
<p><b>9</b></p> <table border="0"> <tr> <td>a</td> <td>b</td> <td>c</td> </tr> <tr> <td>28.62"</td> <td>14.17"</td> <td>3.58"</td> </tr> <tr> <td>727 mm</td> <td>360 mm</td> <td>91 mm</td> </tr> </table> <p>Side facing down</p>	a	b	c	28.62"	14.17"	3.58"	727 mm	360 mm	91 mm	<p>Fig. 9.4</p>  <p>D _____</p> <p>Fig. 9.5</p>  <p>D _____</p>	<p><b>8125/5091-□□</b></p> 
a	b	c									
28.62"	14.17"	3.58"									
727 mm	360 mm	91 mm									
<p><b>Add to catalog number:</b></p>	<p>Enclosure material:</p> <table border="0"> <tr> <td>sheet steel, painted</td> <td>1</td> </tr> <tr> <td>stainless steel</td> <td>2</td> </tr> </table> <p>Specify side facing down A or D (see above) _____</p>	sheet steel, painted	1	stainless steel	2						
sheet steel, painted	1										
stainless steel	2										

For dimensional information see page F30

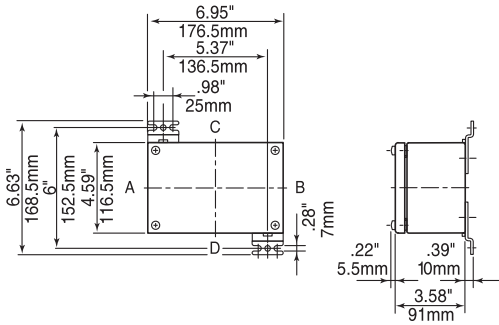
PARTS AND ACCESSORIES



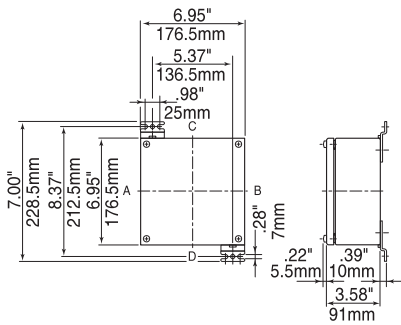
DESIGNATION	ILLUSTRATION	DESCRIPTION	CATALOG NUMBER
<b>Flange Plate Size 1</b>		5" x 2.7" x 0.2" (128 x 68 x 5 mm) carbon steel 316 stainless steel Can be fitted in Enclosures Sides 8125/*051 A/B/C/D 8125/*061 A/B/C/D 8125/*071 A/B/C/D 8125/*S71 C/D 8125/*081 A/B/C/D	<b>81 250 01 49 0</b> <b>81 259 02 49 0</b>
<b>Flange Plate Size 2</b>		10.5" x 5" x 0.2" (266 x 128 x 5 mm) carbon steel 316 stainless steel Can be fitted in Enclosures Sides 8125/*063 C/D 8125/*073 C/D 8125/*083 /*085 A/B/C/D 8125/*093 /*095 A/B/C/D	<b>81 250 02 49 0</b> <b>81 259 04 49 0</b>
<b>Flange Plate Size 3</b>		5" x 5" x 0.2" (126 x 126 x 5 mm) carbon steel 316 stainless steel Can be fitted in Enclosures Sides 8125/*073 A/B	<b>81 250 03 49 0</b> <b>81 259 06 49 0</b>
<b>Flange Plate Size 4</b>		13.86" x 6.1" x 0.2" (352 x 155 x 5 mm) carbon steel 316 stainless steel Can be fitted in Enclosures Sides 8125/*085 A/B/C/D 8125/*095 A/B/C/D	<b>81 250 04 49 0</b> <b>81 259 08 49 0</b>
<b>Coupling Frames</b>		Frame Sizes 0 2.68" x 2.68" (68 mm x 68 mm) 1 5.04" x 2.68" (128 mm x 68 mm) 2 10.47" x 4.96" (266 mm x 126 mm) 3 4.96" x 4.96" (126 mm x 126 mm) 4 13.86" x 6.1" (352 mm x 155 mm)	<b>81 460 03 10 0</b> <b>81 460 01 10 0</b> <b>81 460 04 10 0</b> <b>81 460 11 10 0</b> <b>81 250 04 10 0</b>
<b>Cover Hinges</b>		8125 for retrofitting to enclosure  Kit consists of: 2 hinges 3 hinges	<b>81 258 02 29 0</b> <b>81 258 03 29 0</b>
<b>Entry Hubs</b>			<b>8166/11 mounted</b> (see page C15 and C18)  <b>8166/11 part only</b> (see page J1)

For Entry information see pages C15, 17 & 18.

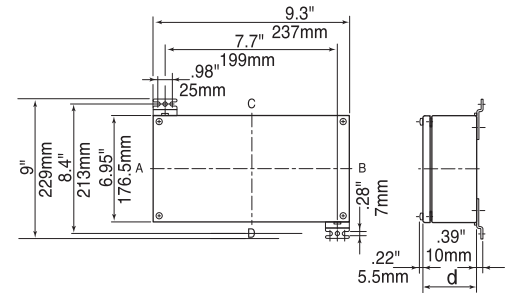
## DIMENSIONS



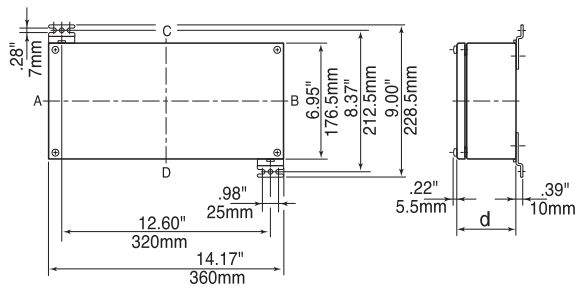
8125/5041



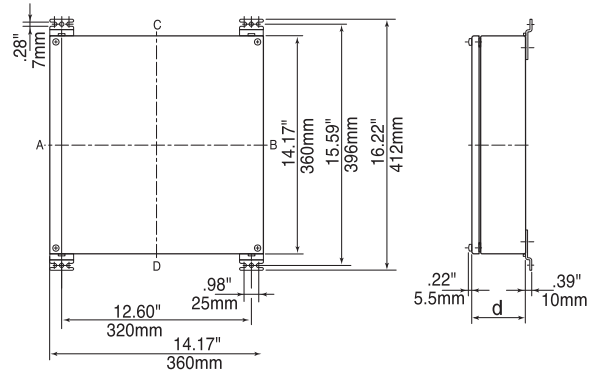
8125/5051



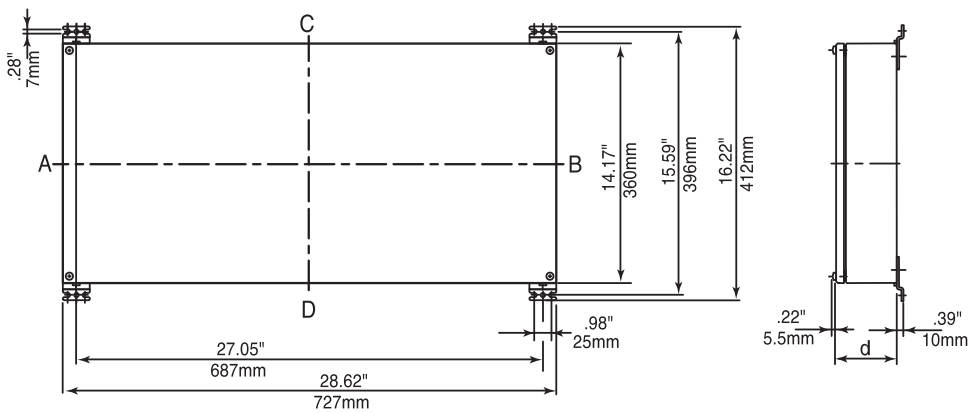
8125/506



8125/507



8125/508



8125/509

Available Enclosure Depth (d)				
Enclosure Sizes	1 3.58" 91mm	3 5.91" 150mm	5 7.48" 190mm	6 9.06" 230mm
8125/504	x	-	-	-
8125/505	x	-	-	-
8125/506	x	x	-	-
8125/507	x	x	-	-
8125/508	x	x	x	x
8125/509	x	x	x	-

Flange option:  
Add to overall  
dimensions.

