

# 8146 Series

CONTROL STATION IN POLYESTER RESIN



## CONTROLS

STAHL

### CLASSIFICATIONS

NEC- Class I, Zones 1 & 2 AEx de IIC T6  
Class I, Division 2, Groups A,B,C,D  
Class II, Division 2, Groups F,G  
Class III

Enclosure Type 3, 4 & 4X; IP66  
FILE No. E182378



CEC- Class I, Zones 1 & 2 Ex de IIC T6  
Class I, Division 2, Groups A,B,C,D  
Class II, Divisions 1 & 2, Groups E,F,G  
Class III

CSA ENCLOSURES 3, 4 & 4X; IP66  
CERTIFIED - FILE No. LR99480



II 2G Ex ed IIC T6, IP66  
PTB 01 ATEX 1024

II 2D IP6X, T80°C, T95°C or T130°C  
LCIE 02 ATEX 6241

Ambient Temperature Range  
+40°C (+104°F) Max.  
-20°C (-4°F) Min.

Special Temperature Range\*  
+55°C (+131°F) Max.  
-40°C (-40°F) Min.  
\*Consult Factory

### Features:

Control and display devices are assembled in a clear layout in 8146 series control stations. The number of installed components depends on the control station size and the space required to fit each device.

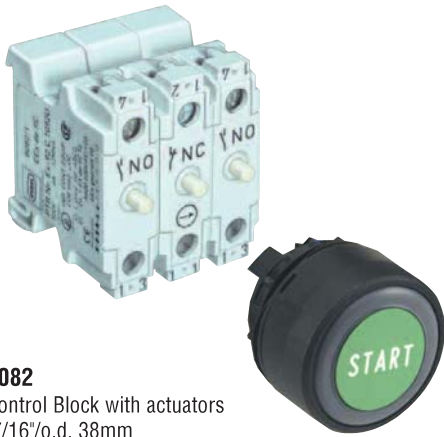
- Enclosures in fiberglass reinforced polyester (FRP)
- 7 basic enclosure sizes
- Different enclosure depths
- Options:
  - Flanges
  - Cover Hinges
  - Flanged enclosure
  - Brass plates for metal cable entriesFor entry hardware see pages C1, C3 and C4
- Can be combined to larger units

### Components:

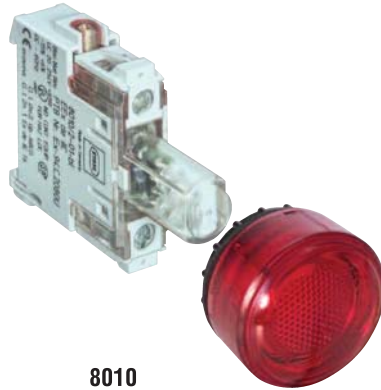
- Contact blocks
- Pilot lights
- Illuminated buttons
- Control switches
- Ammeters
- Voltsmeters

For component data  
see pages F7-F14 and F31-33.

IN FIBERGLASS REINFORCED POLYESTER (FRP)



**8082**  
Control Block with actuators  
7/16"/o.d. 38mm



**8010**  
LED Pilot Light



**8082/8010**  
Illuminated Pushbutton

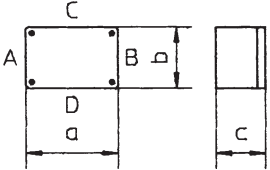
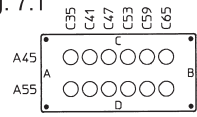
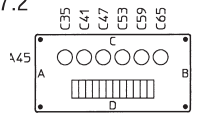
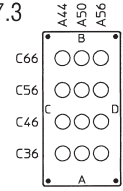
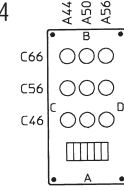

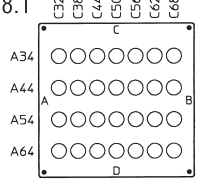
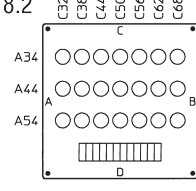

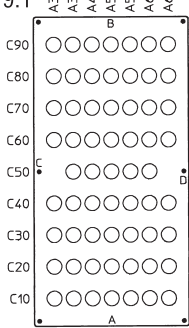
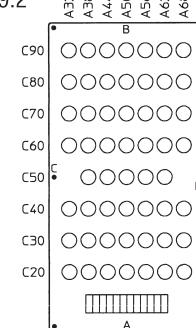
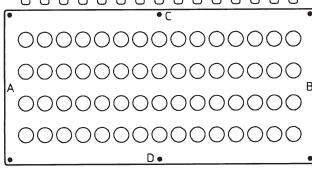

## Typical Panel Configurations

ENCLOSURE SIZE	DIMENSIONS Inches mm	PANEL CONFIGURATIONS	CATALOG NUMBER
		<p>Panel configurations Maximum quantity of components such as: Contact Blocks 8082, Pilot Lights 8010, and Illuminated Pushbuttons 8082/8010.</p>	
<p><b>3</b></p> <p>a          b          c</p> <p>4.43"      4.43"      3.58"</p> <p>112 mm    112 mm    91mm</p> <p>Side facing down</p>		<p>Fig. 3.1</p> <p>A</p>	<p><b>8146/5031-3</b> </p>
<p><b>4</b></p> <p>a          b          c</p> <p>6.69"      4.43"      3.58"</p> <p>170 mm    112 mm    91mm</p> <p>Side facing down</p>		<p>Fig. 4.1      Fig. 4.2      Fig. 4.3</p> <p>A          A          D</p>	<p><b>8146/5041-3</b> </p>
<p><b>5</b></p> <p>a          b          c</p> <p>6.69"      6.69"      3.58"</p> <p>170 mm    170 mm    91mm</p> <p>Side facing down</p>		<p>Fig. 5.1      Fig. 5.2      Fig. 5.3      Fig. 5.4</p> <p>A          A          D          D</p>	<p><b>8146/5051-3</b> </p>
<p><b>6</b></p> <p>a          b          c</p> <p>8.94"      6.69"      3.58"</p> <p>227 mm    170 mm    91mm</p> <p>Side facing down</p>		<p>Fig. 6.1      Fig. 6.2      Fig. 6.3      Fig. 6.4</p> <p>A          A          D          D</p>	<p><b>8146/5061-3</b> </p>
<p><b>Add to catalog number:</b></p>		<p>Specify side facing down A or D (see above)</p>	

For dimensional information see page F22

IN FIBERGLASS REINFORCED POLYESTER (FRP)

## Typical Panel Configurations

ENCLOSURE SIZE	DIMENSIONS Inches mm	PANEL CONFIGURATIONS	CATALOG NUMBER
		<p>Panel configurations Maximum quantity of components such as; Contact Blocks 8082, Pilot Lights 8010, and Illuminated Pushbuttons 8082/8010.</p>	
<p><b>7</b></p> <p>a            b            c</p> <p>13.41"      6.69"      3.58"</p> <p>340 mm    170 mm    91 mm</p> <p>Side facing down</p>	<p>Fig. 7.1</p>  <p>Fig. 7.2</p>  <p>Fig. 7.3</p>  <p>Fig. 7.4</p> 	<p><b>8146/5071-3</b> </p>	
<p><b>8</b></p> <p>a            b            c</p> <p>13.41"      13.41"      3.58"</p> <p>340 mm    340 mm    91 mm</p> <p>Side facing down</p>	<p>Fig. 8.1</p>  <p>Fig. 8.2</p> 	<p><b>8146/5081-3</b> </p>	
<p><b>9</b></p> <p>a            b            c</p> <p>26.83"      13.41"      3.58"</p> <p>680 mm    340 mm    91 mm</p> <p>Side facing down</p>	<p>Fig. 9.1</p>  <p>Fig. 9.2</p>  <p>Fig. 9.3</p> 	<p><b>8146/5091-3</b> </p>	
<p><b>Add to catalog number:</b></p>	<p>Specify side facing down A or D (see above)</p>		

For dimensional information see page F22



IN FIBERGLASS REINFORCED POLYESTER (FRP)



**8082**  
Contact Blocks with Double Momentary Pushbutton

Emergency STOP (Jumbo)

**8008**  
Control Switches

**8405**  
Ammeter

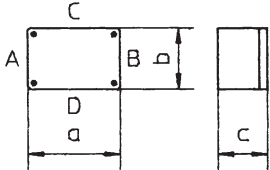
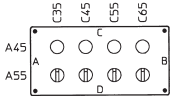
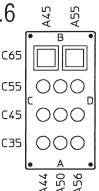
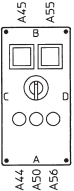


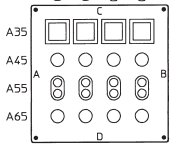
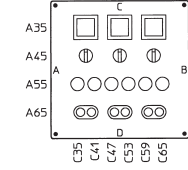


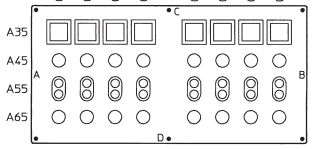
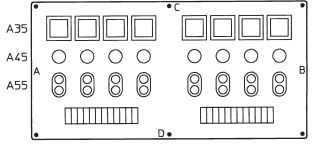


## Typical Panel Configurations

ENCLOSURE SIZE	DIMENSIONS Inches mm	PANEL CONFIGURATIONS	CATALOG NUMBER
		<p>Panel configurations Maximum quantity of components such as; Contact Blocks 8082, Pilot Lights 8010, Illuminated Pushbuttons 8082/8010, Control Switches 8008 and Ammeters 8405.</p>	
<p><b>3</b></p> <p>a            b            c</p> <p>4.43"      4.43"      3.58"</p> <p>112 mm    112 mm    91 mm</p> <p>Side facing down</p>		<p>Fig. 3.2      Fig. 3.3      Fig. 3.4</p> <p>A            A            A</p>	<p><b>8146/5031-3</b> </p>
<p><b>4</b></p> <p>a            b            c</p> <p>6.69"      4.43"      3.58"</p> <p>170 mm    112 mm    91 mm</p> <p>Side facing down</p>		<p>Fig. 4.4      Fig. 4.5      Fig. 4.6      Fig. 4.7</p> <p>A            A            D            D</p>	<p><b>8146/5041-3</b> </p>
<p><b>5</b></p> <p>a            b            c</p> <p>6.69"      6.69"      3.58"</p> <p>170 mm    170 mm    91 mm</p> <p>Side facing down</p>		<p>Fig. 5.5      Fig. 5.6</p> <p>D            D</p>	<p><b>8146/5051-3</b> </p>
<p><b>6</b></p> <p>a            b            c</p> <p>8.94"      6.69"      3.58"</p> <p>227 mm    170 mm    91 mm</p> <p>Side facing down</p>		<p>Fig. 6.5      Fig. 6.6</p> <p>A            A</p>	<p><b>8146/5061-3</b> </p>
<p><b>Add to catalog number:</b></p>		<p>Specify side facing down A or D (see above)</p>	

For dimensional information see page F22

IN FIBERGLASS REINFORCED POLYESTER (FRP)

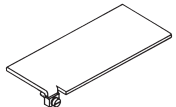
## Typical Panel Configurations

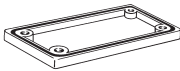
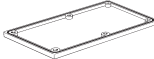
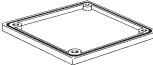

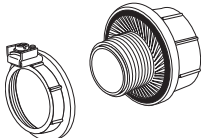
ENCLOSURE SIZE	DIMENSIONS Inches mm	PANEL CONFIGURATIONS	CATALOG NUMBER
		<p>Panel configurations Maximum quantity of components such as; Contact Blocks 8082, Pilot Lights 8010, Illuminated Pushbuttons 8082/8010, Control Switches 8008 and Ammeters 8405.</p>	
<p><b>7</b></p> <p>a      b      c 13.41"   6.69"   3.58" 340 mm   170 mm   91 mm</p> <p>Side facing down</p> <p>Side facing down</p>	<p>Fig. 7.5</p>  <p>D</p> <p>Fig. 7.6</p>  <p>A</p> <p>Fig. 7.7</p>  <p>A</p>	<p><b>8146/5071-3</b> </p> 	
<p><b>8</b></p> <p>a      b      c 13.41"   13.41"   3.58" 340 mm   340 mm   91 mm</p> <p>Side facing down</p>	<p>Fig. 8.4</p>  <p>D</p> <p>Fig. 8.5</p>  <p>D</p>	<p><b>8146/5081-3</b> </p> 	
<p><b>9</b></p> <p>a      b      c 26.83"   13.41"   3.58" 680 mm   340 mm   91 mm</p> <p>Side facing down</p> <p>Side facing down</p>	<p>Fig. 9.4</p>  <p>D</p> <p>Fig. 9.5</p>  <p>D</p>	<p><b>8146/5091-3</b> </p> 	
<p><b>Add to catalog number:</b></p>	<p>Specify side facing down A or D (see above)</p>		

For dimensional information see page F22

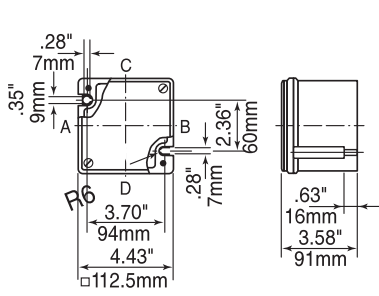


## PARTS AND ACCESSORIES

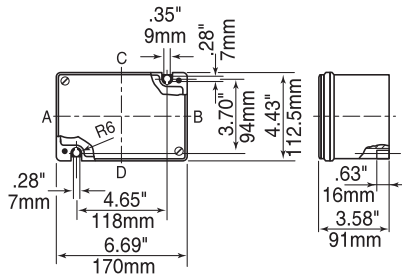
ILLUSTRATION/DESCRIPTION		CATALOG NUMBER
<b>Brass Plates for Flange Plates</b>   To bond metal cable glands  for 8146	Flange Size	
	1	<b>81 460 10 55 0</b>
	2	<b>81 460 33 55 0</b>
	3	<b>81 460 54 55 0</b>
<b>Brass Plates for Enclosures without Flange Plates</b>	8146/•03• Side C/D	<b>81 460 17 55 0</b>
	8146/•04• A/B C/D	<b>81 460 17 55 0</b> <b>81 460 43 55 0</b>
	8146/•05• A/B C/D	<b>81 460 11 55 0</b> <b>81 460 22 55 0</b>
	8146/•06• A/B C/D	<b>81 460 22 55 0</b> <b>81 460 16 55 0</b>
	8146/•071 A/B C/D	<b>81 460 22 55 0</b> <b>81 460 23 55 0</b>
	8146/•073 & 8146/•075 A/B C/D	<b>81 460 39 55 0</b> <b>81 460 42 55 0</b>
	8146/•S71 A/B C/D	<b>81 460 11 55 0</b> <b>81 460 31 55 0</b>
	8146/•S73 A/B C/D	<b>81 460 38 55 0</b> <b>81 460 41 55 0</b>
	8146/.081 A/B C/D	<b>81 460 23 55 0</b> <b>81 460 31 55 0</b>
	8146/•083 & 8146/•085 & 8146/•086 A/B C/D	<b>81 460 40 55 0</b> <b>81 460 41 55 0</b>
	8146/•091 A/B C1/D1 C2/D2	<b>81 460 30 55 0</b> <b>81 460 10 55 0</b> <b>81 460 31 55 0</b>
	8146/•093 & 8146/•095 A/B C1/D1 C2/D2	<b>81 460 41 55 0</b> <b>81 460 40 55 0</b> <b>81 460 41 55 0</b>
	Flange-enclosure	<b>81 460 32 55 0</b>

ILLUSTRATION/DESCRIPTION		CATALOG NUMBER	
<b>Flange Plates Size 1</b>   in FRP  Versions 0.11" 2,8mm thick 0.23" 5,8mm thick For Mounting on: Enclosure Sides 8146/•051/•052 C/D 8146/•061/•062 A/B/C/D 8146/•071/•072 A/B/C/D 8146/•S71 C/D 8146/•08/•082 A/B/C/D 8146/•091/•092 A/B/C/D		<b>81 460 01 49 0</b> <b>81 460 04 49 0</b>	
<b>Flange Plates Size 2</b>   0.11" 2,8mm thick 0.23" 5,8mm thick For Mounting on: Enclosure Sides 8146/•073/•075 C/D 8146/•S73 C/D 8146/•083/•085/•86 A/B/C/D 8146/•093/•095 A/B/C/D		<b>81 460 05 49 0</b> <b>81 460 06 49 0</b>	
<b>Flange Plates Size 3</b>   0.11" 2,8mm thick 0.23" 5,8mm thick For Mounting on: Enclosure Sides 8146/•073/•075 A/B		<b>81 460 10 49 0</b> <b>81 460 11 49 0</b>	
<b>Coupling Frames</b>  	Size 0	2.68" x 2.68" (68 mm x 68 mm)	<b>81 460 03 10 0</b>
	Size 1	5.04" x 2.68" (128 mm x 68 mm)	<b>81 460 01 10 0</b>
	Size 2	10.47" x 4.96" (266 mm x 126 mm)	<b>81 460 04 10 0</b>
	Size 3	4.96" x 4.96" (126 mm x 126 mm)	<b>81 460 11 10 0</b>
<b>Entry Hubs</b>  			<b>8166/11 mounted</b> (see page C1 and C4)  <b>8166/11 part only</b> (see page J1)

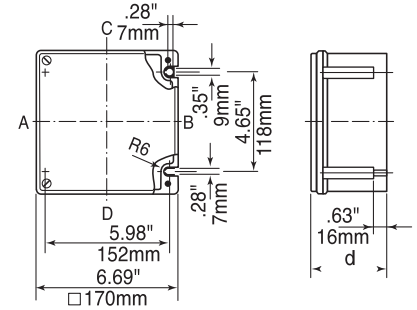
## DIMENSIONS



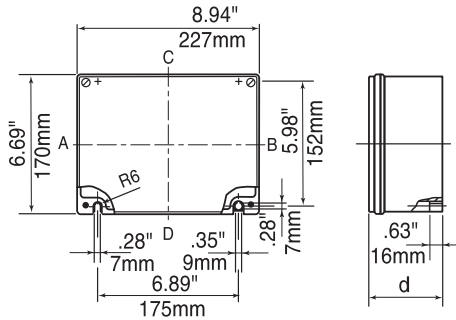
8146/5031



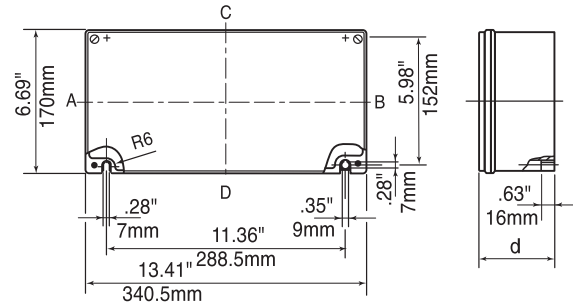
8146/5041



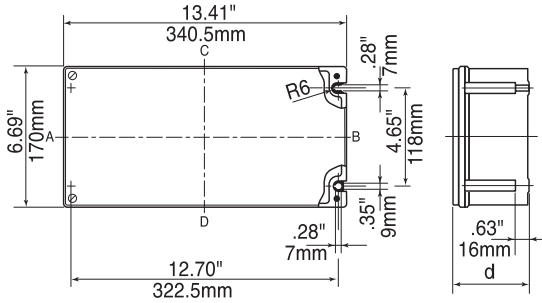
8146/505•



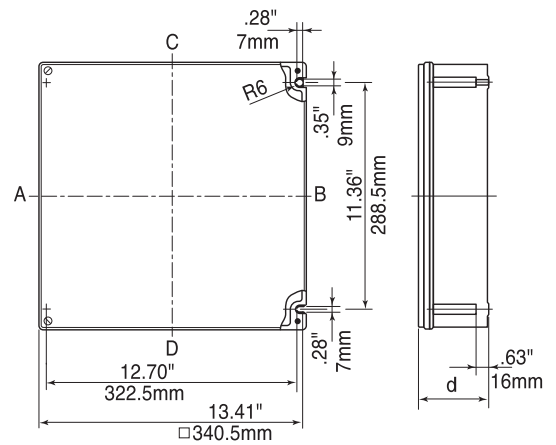
8146/506•



8146/507•

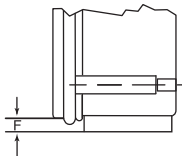


8146/5S7•



8146/508•

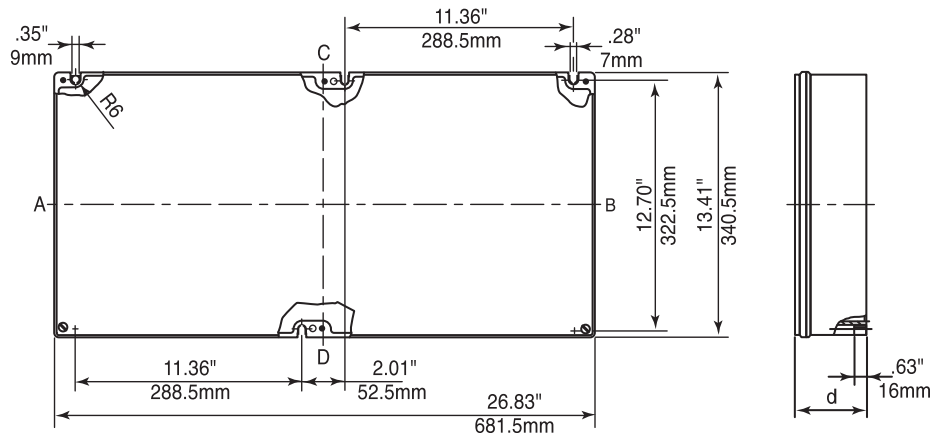
Flange option: Add to overall dimensions.



Flange Thickness	Dimension F
0.11" 2.8mm	0.27" 7mm
0.23" 5.8mm	0.39" 10mm

Available Enclosure Depth (d)						
Enclosure Sizes	1	2	3	4	5	6
	3.58"	5.16"	5.91"	6.73"	7.48"	9.06"
	91mm	131mm	150mm	171mm	190mm	230mm
8146/503•	x	-	-	-	-	-
8146/504•	x	-	-	-	-	-
8146/505•	x	x	-	-	-	-
8146/506•	x	x	-	-	-	-
8146/507•	x	x	x	-	x	-
8146/5S7•	x	-	x	-	-	-
8146/508•	x	x	x	x	x	x
8146/509•	x	x	x	-	x	-

X indicates depths available.



8146/509•