



CLASSIFICATIONS

NEC-CEC
 Class I, Zones 1 & 2
 AEx/Ex me II T*
 Class I, Division 2, Groups A,B,C,D

US File No. E182378

II 2 G Ex me II T*
 PTB 99 ATEX 2158U

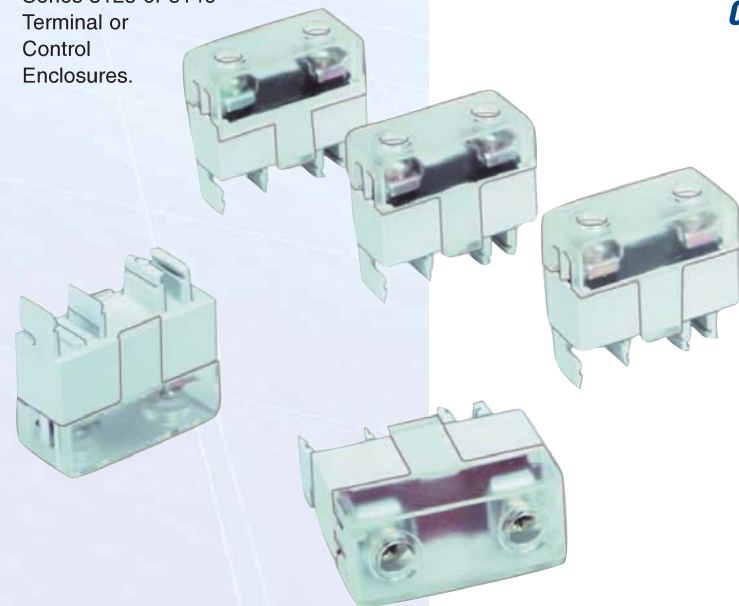
Max. Voltage 250 AC/DC

Ambient Temperature Range:
 +70°C (158°F) Max.
 -50°C (-58°F) Min.

Ambient Temp.	Current	Temp. Classes
Ta ≤56° C	≤4.0 A	T6
Ta ≤70° C	≤4.0 A	T5
Ta ≤46° C	≤5.0 A	T5
Ta ≤70° C	≤6.3 A	T4

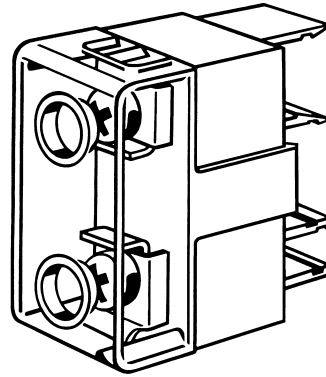
FEATURES:

- The small fuse base 8560 Series is designed for 250V AC/DC for low amperage circuits from 32mA to 1.25A in quick-acting characteristic and from 2A to 6.3A in time-lag characteristic.
- The fuse base is for quick and easy snap-on mounting on DIN rails TS15, TS35 and TS32.
- They need to be mounted into "increased safety" certified enclosures i.e. the STAHL Series 8125 or 8146 Terminal or Control Enclosures.



SMALL FUSE BASES

Ordering Information

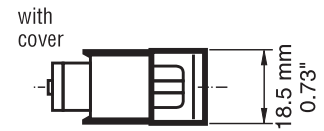
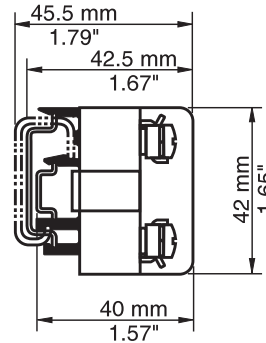
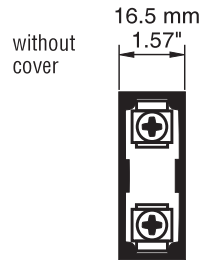


8560
 Small fuse bases

Accessories
 Identification Label (self adhesive)

Rated Current	Catalog Number	
<i>quick acting</i>	32 mA	8560/51-4023
	50 mA	8560/51-4033
	63 mA	8560/51-4043
	80 mA	8560/51-4053
	100 mA	8560/51-4063
	125 mA	8560/51-4073
	160 mA	8560/51-4083
	200 mA	8560/51-4093
	250 mA	8560/51-4103
	315 mA	8560/51-4113
	400 mA	8560/51-4133
	500 mA	8560/51-4143
	630 mA	8560/51-4153
	800 mA	8560/51-4173
	1 A	8560/51-4183
	1.25 A	8560/51-4193
	<i>time lag</i>	2 A
4 A		8560/51-4252
6.3 A		8560/51-4272
Description F1 ... F...		

Dimensions



Current/time characteristics for fuses

