

USER INSTRUCTIONS

Intelligent, Economy 2-wire Transmitter



MINIPAQ®-L

The user instruction must be read prior to adjustment and/or installation. All information subject to change without notice.

INOR®

www.inor.com, www.inor.se

MEASURE OF SUCCESS

GENERAL INFORMATION

MinIPAQ-L is a two-wire transmitter intended to be used in industrial environment.

The transmitter is configured from a standard IBM compatible PC by using the MinIPAQ Soft program. To get full functionality of the MinIPAQ-L use MinIPAQ Soft v1.20 or later. When the transmitter is set from a PC no calibration is needed. The manual is on-line. MinIPAQ Soft is compatible with Windows 95, Windows 98, Windows NT Workstation 4.0, Windows 2000 and Windows XP.

ORDERING INFORMATION

Transmitter

MinIPAQ -L 70MQL00002

Software and cable

Basic configuration kit including	
Software CD and cables	70CFG00093
Software CD	70CDSOFT01
Off-line cable	70IPRP0101



SWEDEN

INOR®

PROCESS AB

ADDRESS PO Box 9125
S-200 39 MALMÖ, Sweden

PHONE +46-40-31 25 60

FAX +46-40-31 25 70

E-MAIL support@inor.se

FINLAND

INOR®

TRANSMITTER OY

ADDRESS Unikkotie13
FIN-01300 VANTAA, Finland

PHONE +358- 9-83850210

FAX +358-9-83850219

E-MAIL js.inor@surfeu.fi

GERMANY

INOR®

TRANSMITTER GMBH

ADDRESS Rodenbacher Chaussee 6
D-63457 Hanau-Wolfgang, Germany

PHONE +49-6181-582940

FAX +49-6181-582944

E-MAIL inor.gmbh@t-online.de

USA

INOR®

TRANSMITTER INC.

ADDRESS 1860 Renaissance Blvd.
Sturtevant, WI 53177, USA

PHONE +1-262-884-4535

FAX +1-262-884-4537

E-MAIL service@inor.com

LIMITED WARRANTY

INOR Process AB, or any other affiliated company within the Inor Group (hereinafter jointly referred to as "Inor"), hereby warrants that the Product will be free from defects in materials or workmanship for a period of five (5) years from the date of delivery ("Limited Warranty"). This Limited Warranty is limited to repair or replacement at Inor's option and is effective only for the first end-user of the Product. Upon receipt of a warranty claim, Inor shall respond within a reasonable time period as to its decision concerning:

- 1 Whether Inor acknowledges its responsibility for any asserted defect in materials or workmanship; and, if so,
- 2 the appropriate cause of action to be taken (i.e. whether a defective product should be replaced or repaired by Inor).

This Limited Warranty applies only if the Product:

- 1 is installed according to the instructions furnished by Inor;
- 2 is connected to a proper power supply;
- 3 is not misused or abused; and
- 4 there is no evidence of tampering, mishandling, neglect, accident damage, modification or repair without the approval of Inor or damage done to the Product by anyone other than Inor.

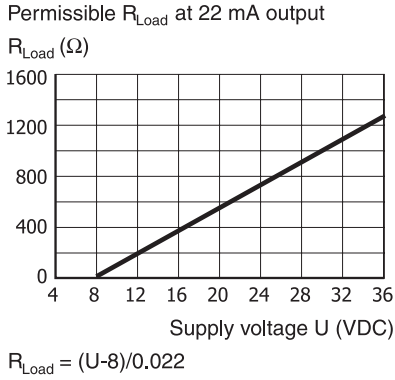
This Limited Warranty is provided by Inor and contains the only express warranty provided.

INOR SPECIFICALLY DISCLAIMS ANY EXPRESS WARRANTY NOT PROVIDED HEREIN AND ANY IMPLIED WARRANTY, GUARANTEE OR REPRESENTATION AS TO SUITABILITY FOR ANY PARTICULAR PURPOSE, PERFORMANCE, QUALITY AND ABSENCE OF ANY HIDDEN DEFECTS, AND ANY REMEDY FOR BREACH OF CONTRACT, WHICH BUT FOR THIS PROVISION, MIGHT ARISE BY IMPLICATION, OPERATION OF LAW, CUSTOM OF TRADE OR COURSE OF DEALING, INCLUDING IMPLIED WARRANTIES OF MER-CHANTABILITY AND FITNESS FOR A PARTICULAR PURPOSE. EXCEPT AS PROVIDED HEREIN, INOR FURTHER DISCLAIMS ANY RESPONSIBILITY FOR LOSSES, EXPENSES, INCONVENIENCES, SPECIAL, DIRECT, SECONDARY OR CONSEQUENTIAL DAMAGES ARISING FROM OWNERSHIP OR USE OF THE PRODUCT.

Products that are covered by the Limited Warranty will either be repaired or replaced at the option of Inor. Customer pays freight to Inor, and Inor will pay the return freight by post or other "normal" way of transport. If any other type of return freight is requested, customer pays the whole return cost.

DATA (shortform)

Power supply:	8.0 - 36 VDC
Ambient temperatur:	-20 - + 70 °C -4 - + 158 °F
Mounting:	DIN Rail

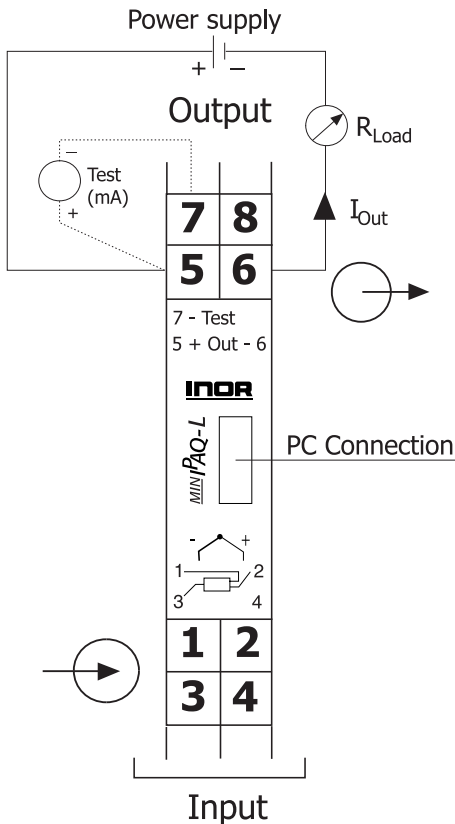


CALIBRATION

It is recommended to check the calibration once a year. Use equipment with an inaccuracy of at least 5 times better than the checked transmitter, e.g. if you are checking a transmitter with an inaccuracy of maximum 0.1% use instrument with an inaccuracy of maximum 0.02%.

Use the MinIPAQ Soft Basic Calibration function in the Options menu, and follow the instructions on the screen.

CONNECTIONS



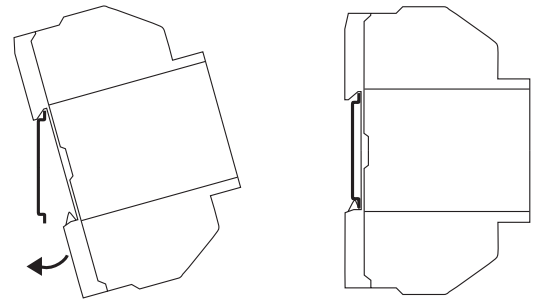
CONFIGURATION

The help file in MinIPAQ Soft contains complete information about the configuration procedure. If MinIPAQ Soft (the MinIPAQ Software) is not installed in your PC, install the software.

The MinIPAQ-L can be configured with the MinIPAQ Soft and cable 70IPRP0101 off-line or "on-line" while the transmitter is operating in the process. During transmission from the PC, the transmitter output is frozen. When the transfer is complete the transmitter begins using the new parameters. When using the MinIPAQ Soft program with the IPRO basic cable 70IPRX0002 and adapter 70IPRP0001 the configuration must be performed on-line, that is with a power supply connected.

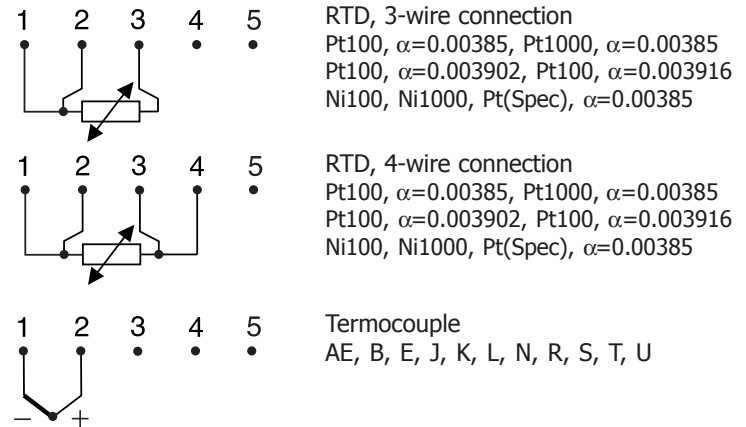
The most updated version of MinIPAQ Soft can be downloaded from our homepage at: <http://www.inor.com/Download>

MOUNTING



Rail DIN EN50022 (35 mm)

INPUTS / OUTPUTS



DIMENSIONS

