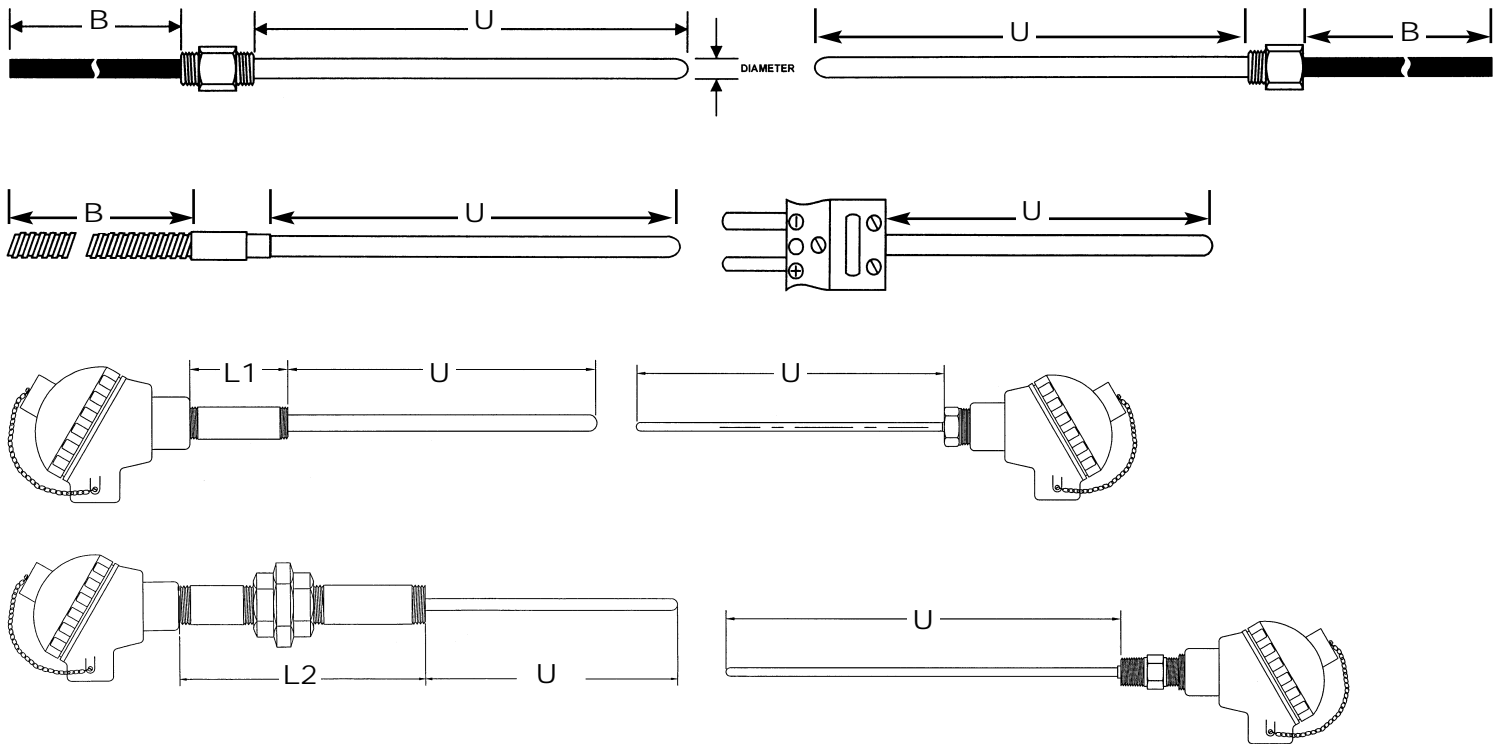


Industrial & HVAC

Thermocouples and RTD's

Sheath – 316 stainless steel standard



Industrial & HVAC Product Specifications & Options

To order: For each item required, specify the appropriate **codes** or **measurements** from each of the columns below.

Product	Sensor	Probe Length (in.)	Sheath Dia.	Junction	Lead Length (in.)	Lead Type	Termination	Process Connection	Options
A51	1. J 2. JJ-duplex 3. K 4. KK-Duplex 5. T 6. TT-Duplex 7. RTD (200°C) 8. RTDD-Duplex (200°C) 9. RT4 (400°C) 10. RT44 Duplex (400°C) SP SPECIAL	U=Specify	1.1/16" 2.1/8" 3.3/16" 4. 1/4" 5.5/16" 6. 3/8"	E-Exposed G-Grounded U-Ungrounded 3-3 wire 4-4 wire	B=Specify N=None	N=None FB-Fiberglass solid GS-Fiberglass Stranded SB-Stainless braid over fiberglass FH-Flex armour over fiberglass stranded T-Teflon solid TT-Teflon stranded P-PVC solid PS-PVC stranded SP-Special	N=None *Male plug *Female jack ST-Strip Leads SL-Spade Lugs *Head Types I-Cast iron AL-LG cast AL ALE-Cast AL Explosion FDA-FDA compliant plastic E-Epoxy coated AL FDAF-FDA compliant flip top *See page 15 for Selection	N=None *BB2-1/2" NPT brass *S2-1/2" NPT steel *SS2-1/2" NPT stainless *BB4-1/4" NPT brass *S1-1/4" NPT steel *SS1-1/4" NPT stainless FL-Flange mount L1-2" L2-4.5" *See page 14 for additional process connectors	S-Spring loaded *T-Transmitter (ready) I-Inconel sheath 304-304ss sheath A-Armour cover leads B-Ceramic block C-NIST traceable D-No transition *See page 16-17 for available temp. transmitters (in-head or rail)
Example: A51	7	3	3	3	120	P	SL	N	S