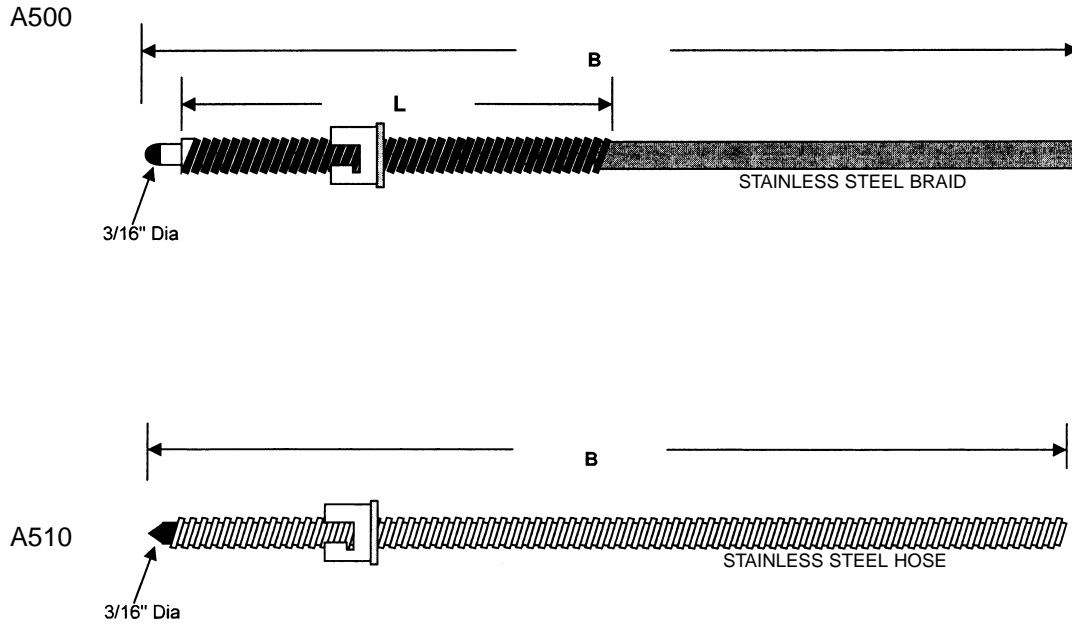


Plastic Industry

Adjustable Bayonet Thermocouples & RTDs



Product Specifications & Options

To order: For each item required, specify the **product** name along with appropriate **codes** or **measurements** from each of the columns below.

Product	Sensor	Immersion Depth (L)	Overall Length (B)	Terminal	Options
A500	1. J	L=Specify (in.)	Specify (in.)	P-Male plug	U-Ungrounded
A510	2. K		SP - Special	F-Female Jack	*B-Bayonet adaptor
	3. T			ST-Strip Leads	C-NIST traceable
	4. RTD			SL-Spade Lugs	SP-Special
					* See page 14 for selection