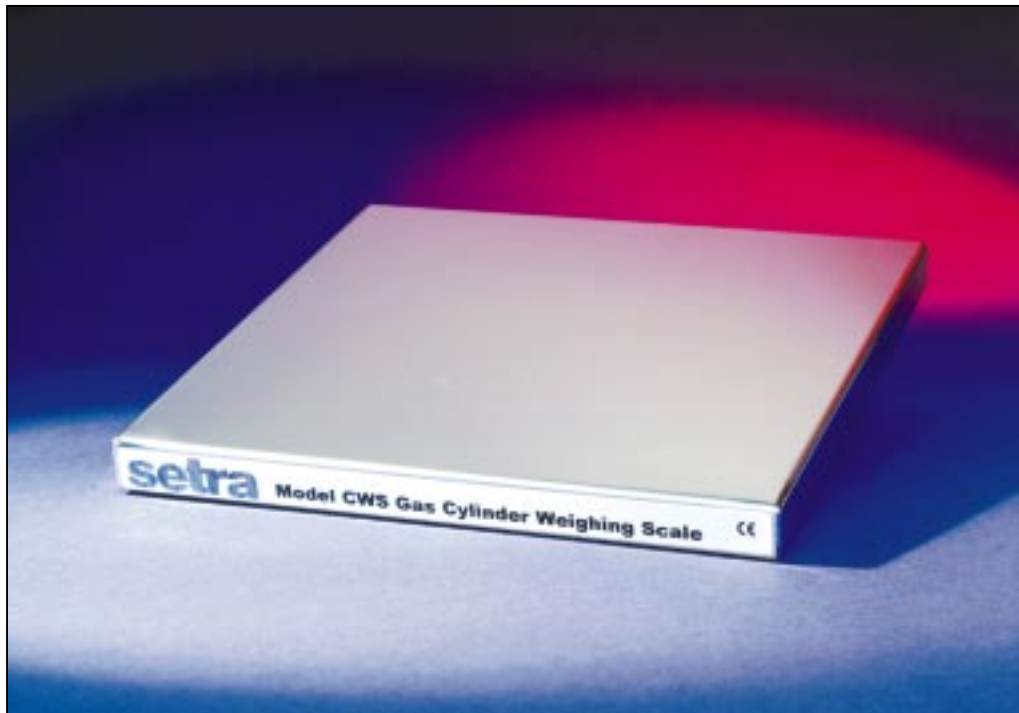


Model CWS 321 Gas Cylinder Weighing Scale

0 to 60, 300 Pounds
0 to 30, 135 Kilograms



Application

- Designed to Weigh Gas Cylinders in Gas Cabinets and Gas Distribution

Features

- 0.1% FS Accuracy
- Low Profile for Easy Installation
- Excellent EMI/RFI Immunity
- External Zero and Span Access
- Meets CE Conformance Standards

Setra Systems Model CWS 321 Gas Cylinder Weighing Scale is designed to weigh gas cylinders to within 0.10% accuracy, reducing gas replacement costs and shutdown time. Its compressed pivot design results in a low profile scale, ideal for easy gas bottle placement.

The multiple strain gauge element support eliminates off-center loading errors typical of single strain gauge element support scales. High resistance strain gauges, combined with an additional RFI shield, produce lower susceptibility to output noise and RFI error. The Model CWS 321 provides reliability, accuracy and maintenance-free performance.

Specifications

Performance Data

Accuracy	0.10% FS
Non-Repeatability	0.05% FS
Hysteresis	0.10% FS
Off Center Loading	0.10% FS (One-Half Scale Load at 1 inch)
Overload Protection	150% FS
Thermal Effects	
Compensated Range °F (°C)	+14 to +122 (-10 to +50)
Zero shift %FS/100°F (50°C)	±1.0% (±0.9%)
Span Shift %FS/100°F (50°C)	±1.0% (±0.9%)
Long Term Stability	0.5% FS/1 YR

Environmental Data

Temperature	
Operating °F (°C)	+14 to +122 (-10 to +50)
Storage °F (°C)	+14 to +140 (-10 to +60)

Physical Description

Platform Size	9.25" (23.5 cm) x 9.25" (23.5 cm)
Scale Height	0.97" (24.6 mm)
Platform Material	Stainless Steel Pan
Electrical Termination	10 ft. Cable or End of Cable Bayonet Connector.
Zero and Span Adjustments	External to Case
Weight	10 lbs. (4.5 kg)

Electrical Data (Current Output)

Circuit	2-wire
Output	4-20 mA*
External Load	0 to 800 Ohms
Minimum supply voltage (VDC)	= 15 + 0.02 x (Resistance of receiver plus line).
Maximum supply voltage (VDC)	= 30 + 0.02 x (Resistance of receiver plus line).

*Zero and Span (Full Scale) Output factory set to within ±0.15% FS

A regulated power supply or a power supply with low ripple noise is recommended for best performance.

Specifications subject to change without notice.

NOTE 1: Setra quality standards are based on ANSI-Z540-1.

When it comes to a product to rely on - choose the Model CWS 321. When it comes to a company to trust - choose Setra - an ESOP (Employee Owned) Company.

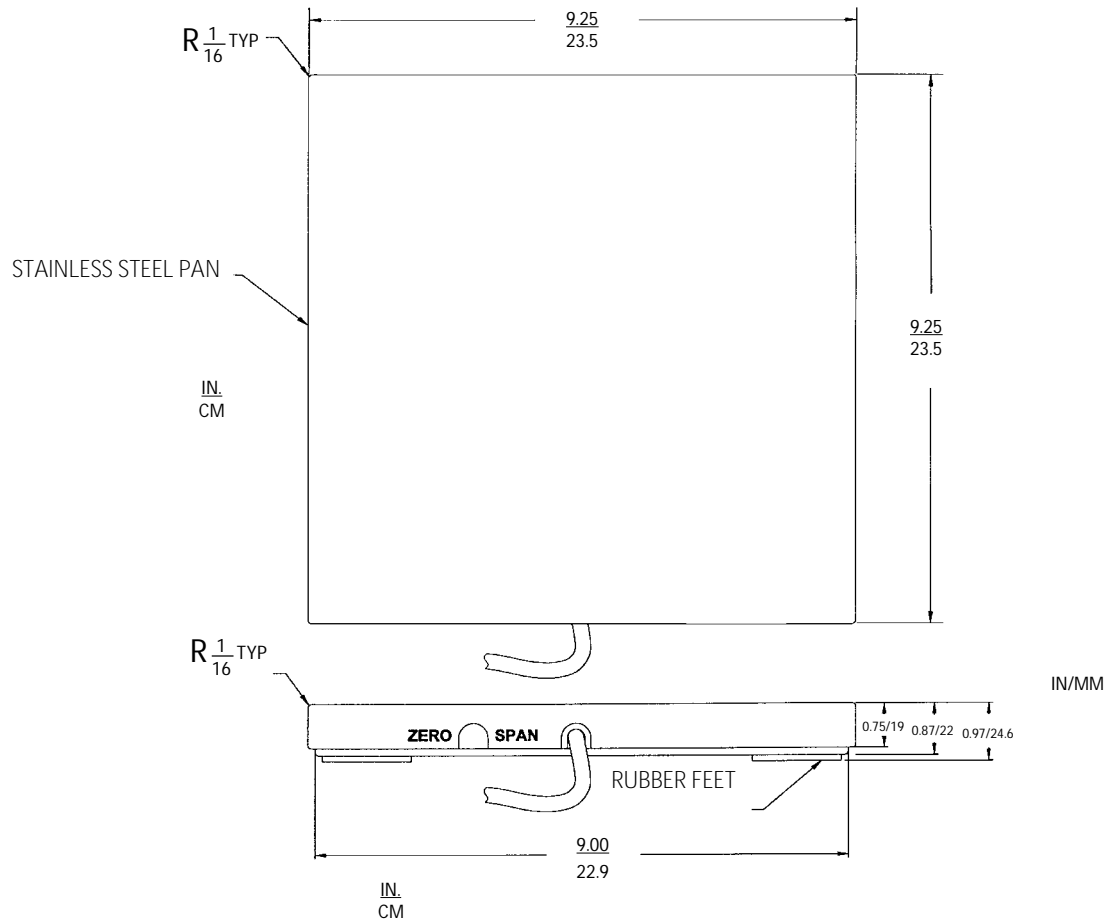


Visit Setra Online:
<http://www.setra.com>

setra
800-257-3872

Model CWS 321

Outline Drawings



ORDERING INFORMATION

Code all blocks in table.

Example: Part No. CWS1060P1104B1 for 0 to 60 Pounds, 4-20 mA Output, 4 Feet of Cable with an End of Cable Bayonet Connector.

3	2	1	1	—		—		—		—		—	
Model					Ranges		Unit		Output		Cable Length		Electrical Termination
3211 = CWS321					030 = 30 060 = 60 135 = 135 300 = 300		P = Pounds (060 and 300) K = Kilograms (030 and 135)		11 = 4-20 mA		10 = 10 ft. Cable Z1 = 50 cm <u>Optional</u> XX = Cable where XX = 01, 02, etc. (in feet), when cable length required is other than standard.		B1 = End of Cable Bayonet Connector NN = None
Please contact factory for configurations not shown.													

While we provide application assistance on all Setra products both personally and through our literature, it is the customer's responsibility to determine the suitability of the product in the application.

159 Swanson Road, Boxborough, MA 01719/Tel: 978-263-1400;
Toll Free: 800-257-3872; Fax: 978-264-0292; email: sales@setra.com

