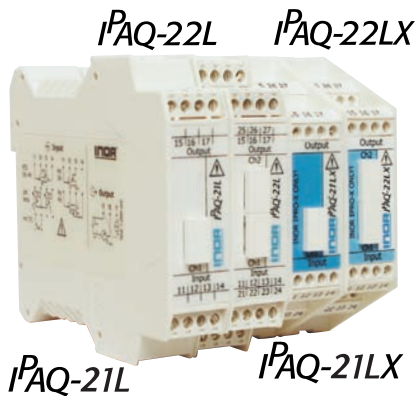


IPAQ-21/-22

Universal 1- & 2-channel Programmable 2-wire Transmitters



IPAQ-21LX/-22LX are 1- and 2-channel, universal, isolated 2-wire transmitters for Ex-applications. No zener barriers or Ex power supplies are needed, which reduces costs for purchase, design and maintenance. IPAQ-21L/-22L are 1- and 2-channel versions for non-Ex-applications.

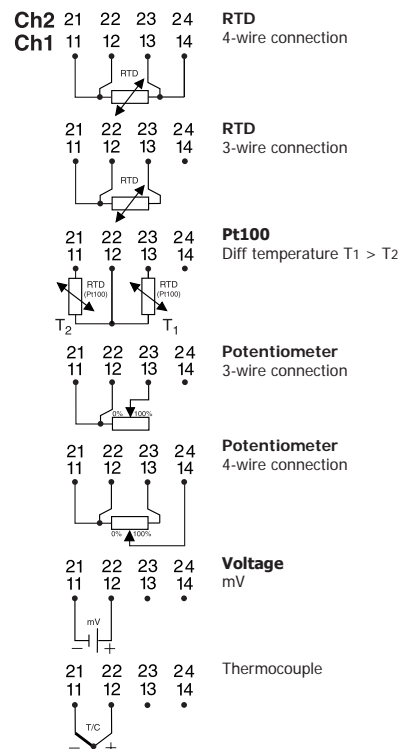
- 1- and 2-channel intrinsic safe IPAQ-21LX/-22LX
- 1- and 2-channel non intrinsic safe IPAQ-21L/-22L
- Very cost effective Ex-solution
- Fully universal, linearized and isolated
- Accepts RTD, T/C, mV and Ω
- Sensor error and system (sensor/transmitter) error correction for highest total accuracy
- Full access to all features while in operation
- NAMUR compliant
- Consistent sensor break function
- Simplified loop check-up with calibration output
- IPRO, easy-to-use Windows configuration software
- Only 11 mm/channel (2-channel versions)
- Fixed terminals or plug-in terminals with coding (see Ordering information)

Specifications:

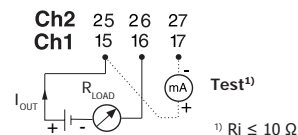
| | | |
|--|-----------------|--|
| Input RTD | | 3-, 4-wire connection |
| Pt100 ($\alpha=0.00385$) | | -200 to +1000 °C / -328 to +1832 °F |
| Pt1000 ($\alpha=0.00385$) | | -200 to +200 °C / -328 to +392 °F |
| PtX $10 \leq X \leq 1000$ ($\alpha=0.00385$) | | Upper range depending on X-value |
| Pt100 ($\alpha=0.003902$) | | -200 to +1000 °C / -328 to +1832 °F |
| Pt100 ($\alpha=0.003916$) | | -200 to +1000 °C / -328 to +1832 °F |
| Ni100 ¹⁾ | | -60 to +250 °C / -76 to +482 °F |
| Ni1000 ¹⁾ | | -10 to +150 °C / +14 to +302 °F |
| Input Potentiometer/resistance | | 3-, 4-wire connection, 0 to 2000 Ω |
| Input Thermocouples | | Types AE, B, E, J, K, L, N, R, S, T, U |
| Input mV | | -10 to +500 mV |
| Sensor failure | | User definable output |
| Adjustments - Zero | | Any value within range limits |
| Adjustments - Minimum spans | | |
| Pt100, Pt1000, Ni100, Ni1000 | | 10 °C / 18 °F |
| Potentiometer | | 10 Ω |
| T/C, mV | | 2 mV |
| Output | | 4-20 / 20-4 mA, temperature linear |
| Operating temperature | IPAQ-21L/-22L | -20 to +70 °C / -4 to +158 °F |
| | IPAQ-21LX/-22LX | -20 to +60 °C / -4 to +140 °F |
| Galvanic isolation | | 1500 VAC, 1 min |
| Power supply | | 8 to 36 VDC |
| Intrinsic safety | IPAQ-21LX/-22LX | ATEX: II (1) G/D [EE ex ia] IIC GOST: [Ex ia] IIC |
| | | Mounting in safe area, $U_{max}=250$ VAC |
| Typical accuracy | | ± 0.1 % of span |
| Mounting | | Rail acc. to DIN EN50022, 35 mm |

¹⁾ IEC 60751

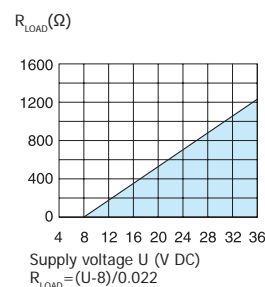
Input connections



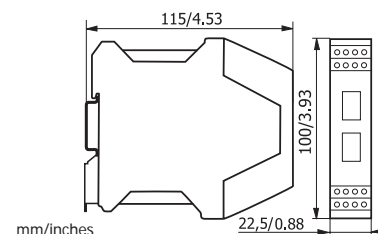
Output connections



Output load diagram



Dimensions



Ordering information

| | |
|---|------------|
| IPAQ-21L 1-Channel, Plug-in terminals | 70IP21L001 |
| IPAQ-22L 2-Channel, Plug-in terminals | 70IP22L001 |
| IPAQ-21LX, Ex, 1-Ch., Fixed terminals | 70IP21LX01 |
| IPAQ-22LX, Ex, 2-Ch., Fixed terminals | 70IP22LX01 |
| IPAQ-21LX, Ex, 1-Ch., Plug-in terminals | 70IP21LX02 |
| IPAQ-22LX, Ex, 2-Ch., Plug-in terminals | 70IP22LX02 |
| PC Configuration Kit | 70CFG00092 |
| Configuration | 70CAL00001 |