

THE GP1000 SERIES IS 3D INSTRUMENTS' RUGGED PRODUCT LINE OF GAUGE PROTECTORS AND DIAPHRAGM SEALS. ALL SEALS ARE PRECISION *MICRO-MATCHED* AT THE 3D FACTORY FOR ACCURACY AND RELIABILITY. BECAUSE 3D'S DIRECT DRIVE BOURDON ELEMENT HAS A FLUID PATH VOLUME OF ONLY 2 CC OR LESS, IT HAS ABOUT 20 TIMES LESS VOLUME THAN A STANDARD C-TYPE. THE RESULTANT DISPLACEMENT OF 0.08 CC OR LESS ALLOWS 3D TO OFFER GAUGE PROTECTION UNMATCHED IN THE INDUSTRY, WHILE MAINTAINING ACCURACY AND SENSITIVITY BETTER THAN ANY OTHER GAUGE AND SEAL COMBINATION AVAILABLE.

## GP140 METALLIC DIAPHRAGM SERIES



### FEATURES

- Welded body of 316 stainless steel or Hastelloy C (other materials available).
- Metallic diaphragm of 316L stainless steel, or Hastelloy C (other materials available).
- Available in 1/4" or 1/2" process connections.
- Available with process flush port.
- A more compact design than industry standard seals (1-1/2 inch hex, max.)
- Low effects on accuracy:  
1% on a 100 psi gauge\*  
0.1% on a 1000 psi gauge  
\*Can be custom spanned for greater accuracy (models KT & KET).
- Low temperature effects: (Models KT & KET) 0.2% per 10°F on a 100 psi gauge.  
0.03% per 10°F on a 1000 psi gauge.

### APPLICATIONS

- Highly corrosive chemical environments.
- Highly viscous
- Processes prone to plugging or fouling.
- Very high pressure pulsations.
- Service pressures 100 - 2000\*\*psi.
- Services below 100 PSI include accuracy adder to specified accuracy

\*\*5000 psi available by special order

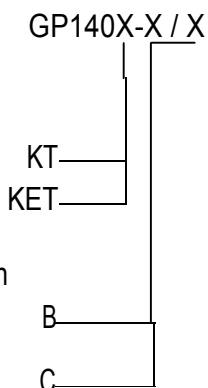
### HOW TO ORDER

316 SS upper & lower  
316 SS upper Hastelloy C  
lower & diaphragm

FITTING: Gauge / Process Connection

1/4 inch NPT process connection

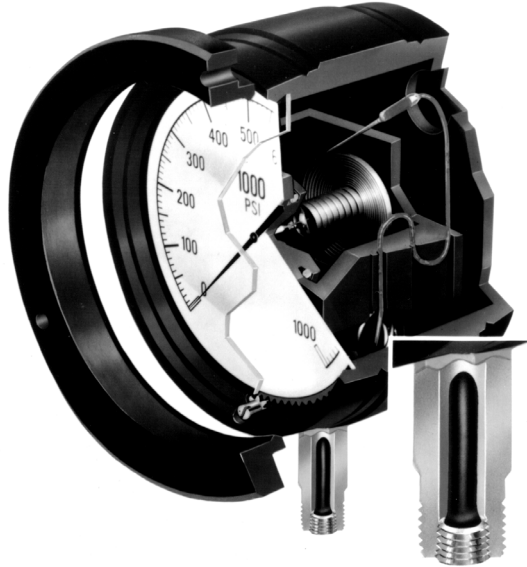
1/2 inch NPT process connection



# GP400 & GP500 ELASTOMERIC DIAPHRAGM SERIES

THE GP400 IS THE MOST UNIQUE PRESSURE GAUGE ISOLATOR AVAILABLE. THE GP400 IS THE LEAST EXPENSIVE WAY TO PROTECT THE 3D PRESSURE GAUGE FROM: CORROSION, FREEZING, VISCOUS LIQUIDS OR PLUGGING. THE GP400 IS SUITABLE FOR USE IN FLUID SERVICES TO 20,000 PSI. IT IS NOT RECOMMENDED FOR VACUUM OR GAS APPLICATIONS.

## GP400

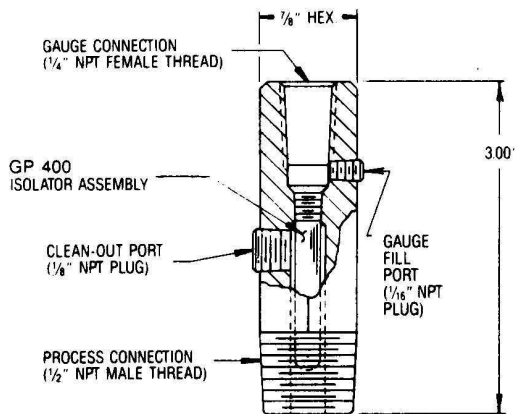


Gauge stem cut-away view of GP400 installed

## FEATURES

- Low cost
- Compact installation within 3D gauge fitting.
- Usable range 30 - 20,000 psi.
- SS fitting.
- Elastomer boot available in: Viton & EPDM
- Usable to temperatures of -40°F to +190°F
- No degradation to accuracy between 100 - 20,000 psi. Suitable for test gauge protection.
- Fill materials available include: Fluorolube, Mineral Oil, Glycerin, Ethylene Glycol, Silicone Oil (Std.)

## GP500



## GP500

- Installed in a separate fitting with flush port & fill port.
- Usable range 100 - 15,000 psi.
- Can be used with electronic transmitters,

## APPLICATIONS

- Viscous fluids Silicone fill standard
- Freeze protection
- Heavy gauge dampening

GP400-X or GP500-X

- 2 Viton
- 7 EPDM

Additional Diaphragm Seals and options are available. Consult 3D Instruments for additional products and options.



15542 Chemical Lane  
 Huntington Beach, California 92649  
 USA  
 Phone: (714) 894-5351  
 Fax: (714) 895-4309