

ME544

**4-channel
Power Supply
for 2-wire
Transmitters**

ME544



ME544 has four galvanically isolated supply channels for 2-wire transmitters. The output voltage for each channel is 25 VDC. Each channel is short-circuit protected and has a current limitation to protect measurement circuits from damage caused by short circuits or other faults. ME544 cuts the risk for measurement errors caused by earth potential differences with a number of 2-wire transmitters in the same measurement system.

- 4 galvanically isolated supply channels for 2-wire transmitters
- 25 V stabilized supply voltage
- Short-circuit safe
- Current limited to ~35 mA
- Available for AC or DC power supply
- Compact mounting on DIN rail
- Plug-in screw terminals

Specifications:

Supply channel 1 to 4

Voltage	~25 VDC stabilized, short circuit protected
Current limitation	~35 mA
Maximum ripple	5 mV eff.

Operation temperature -20 to +60 °C/-4 to +140 °F

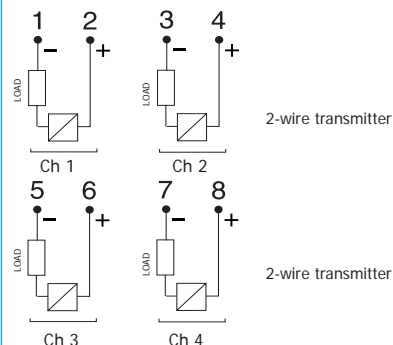
Galvanic isolation	Between channel 1-4	1500 VAC, 1 min
	AC power supply to channel 1-4	2500 VAC, 1 min
	DC power supply to channel 1-4	1500 VAC, 1 min

Power supply	AC versions	230 VAC, -15..+10 %, 45..75 Hz
		115 VAC, -15..+10 %, 45..75 Hz
	DC version	19 to 60 VDC

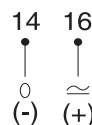
Connections Plug-in terminals Stranded, ≤ 2.5 mm², AWG 14

Mounting Rail acc. to DIN EN 50022, 35 mm

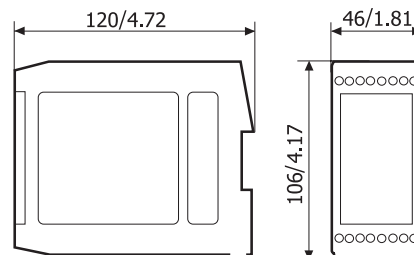
Transmitter supply



Power supply



Dimensions



Ordering information

ME544, 230 VAC	51MOE00010
ME544, 115 VAC	51MOE00112
ME544, 19-60 VDC	51MOE00011