

3½+ DIGIT NEMA 4X LOOP-POWERED METER

HATCHET NEMA 4X • MODEL PD662



SPECIFICATIONS

Except where noted all specifications apply to operation at +25°C.

General

Display: 0.6" (15.24 mm) LCD, 3½+ digits; -1999 to 2999

Display Update Rate: 2 Updates/Second

Over-Range: Display Flashes 2999

Under-Range: Display Flashes -1999

Programming Method: 4 Front Panel Pushbuttons

Noise Filter: Programmable HI, LOW, or OFF

Recalibration: Recalibration is recommended at least every 12 months.

Max/Min Display: Max/Min readings reached by the process are stored until reset by the user or until power to the meter is turned off.

Password: Programmable password restricts modification of programmed settings.

Non-Volatile Memory: All programmed settings are stored in non-volatile memory for a minimum of ten years if power is lost.

Normal Mode Rejection: 64 dB at 50/60 Hz

Operating Temperature: -40 to 85°C (-55 to 85°C with heater option)

Storage Temperature: -40 to 85°C

Relative Humidity: 0 to 90% non-condensing

Connections: Removable screw terminals accept 12 to 22 AWG

Tightening Torque: Screw terminal connectors: 4.5 lb-in (0.5 Nm)

Enclosure: Impact-resistant polyester plastic, body color gray, clear cover with blue faceplate; NEMA 4X, IP66; ½" conduit hole provided at base

Weight: 9.3 oz (264 g)

Overall Dimensions: 3.15" x 4.33" x 2.76" (80 mm x 110 mm x 70 mm) (W x H x D)

Warranty: 3 years parts & labor

Input

Input: 4-20 mA

Accuracy: ±1 count

Temperature Drift: 50 PPM/°C from -40 to 85°C ambient

Decimal Point: User selectable decimal point

Minimum Span: Input 1 & Input 2: 0.40 mA

Maximum Voltage Drop: 1.7 VDC @ 20 mA; 4.9 VDC @ 20 mA with backlight option.

Equivalent Resistance: 85 Ω @ 20 mA without backlight; 245 Ω @ 20 mA with backlight

Loop-Powered Backlight Option: Factory installed only with field wiring option. Powered directly from the 4-20 mA loop, no batteries required. The display brightness will increase as the input signal current increases.

Heater Option

Power: 24 VDC, 11 W Maximum. The heater unit only draws power when required to keep the meter at approximately -20°C.

Ambient Temperature Range: Allows PD662 to operate at -55°C to 85°C.

Temperature Cutoff: Internal 104°C thermal cutoff for over temperature protection.

FEATURES

- 4-20 mA Input
- 3½+ Digit 0.6" Display
- Easy Four-Button Programming
- Programmable Noise Filter
- Max/Min Display
- Password Protection
- HART Protocol Transparent
- Loop-Powered Backlight Option
- 1.7 Volt Drop
- NEMA 4X Enclosure
- Operates from -40 to 85°C (-55 to 85°C with Heater Option)



Actual Size Digits

ORDERING INFORMATION

Hatchet NEMA 4X • Model PD662 Loop-Powered Meter

Model	Description
PD662-0L0-00	NEMA 4X Loop-Powered Meter
PD662-0K0-00	NEMA 4X Loop-Powered Meter with Backlight
PD662-0L0-A0	NEMA 4X Loop-Powered Meter with Heater
PD662-0K0-A0	NEMA 4X Loop-Powered Meter with Backlight + Heater

Accessories

Model	Description
PDA6624	Panel Mounting Kit
PDA6845	2" Pipe Mounting Kit

Disclaimer

The information contained in this document is subject to change without notice. Precision Digital Corporation makes no representations or warranties with respect to the contents hereof, and specifically disclaims any implied warranties of merchantability or fitness for a particular purpose. ©2009 Precision Digital Corporation. All rights reserved.

Your Local Distributor is:

INTRODUCTION

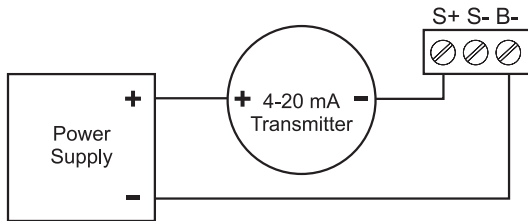
The PD662 Hatchet NEMA 4X loop-powered meter is perfect for applications where a simple, inexpensive display is required and AC power is not available. That's because the PD662 derives all its power from the 4-20 mA loop. The PD662 is scaled using four push buttons and can be done without applying an actual calibration signal. The PD662's display will read up to 2,999; we call this 3½+ digits! The loop-powered backlighting option lets you see the display under any lighting condition and is powered completely from the 4-20 mA loop. This means there is no need for additional wiring and never any batteries to change. The PD662 Hatchet is housed in rugged NEMA 4X enclosure and is provided with one ½" conduit hole. The PD662 is available with an optional 24 VDC powered heater that allows the PD662 to operate in temperatures as low as -55°C.

QUICKSTART

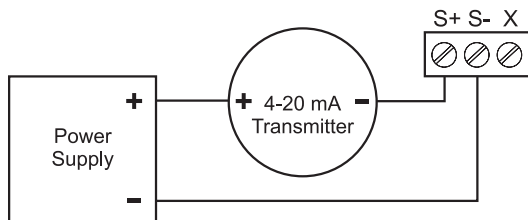
The PD662 is designed to be easily wired into your current loop and quickly programmed.

Wiring

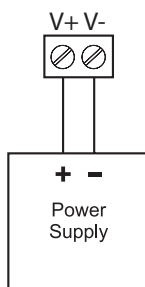
The two wire power/signal connection is made on the back of the PD662 on the three position removable terminal block. Follow instructions printed on the unit for two wire loop-powered connections with or without backlight.



PD662 Input Connections with Backlight



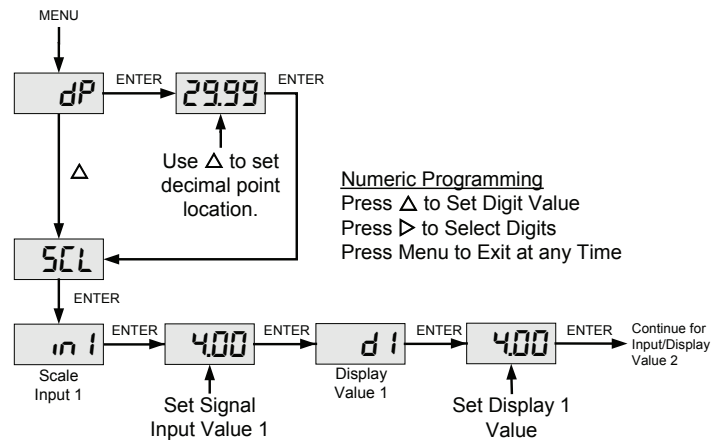
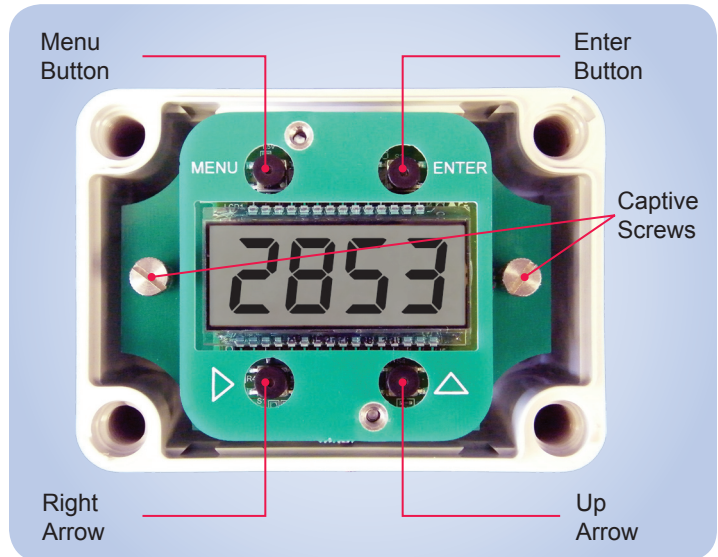
PD662 Input Connections without Backlight



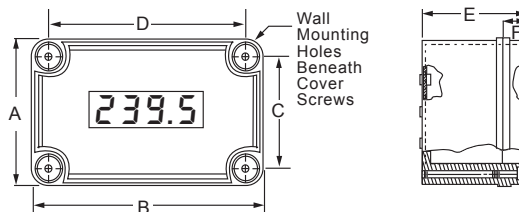
PD662 Heater Connections

Programming

The PD662 Hatchet comes calibrated and scaled at the factory to display a 4.00 to 20.00 mA signal on startup. To change the scaling, follow along using the 4 button interface.



DIMENSIONS



- | | | |
|---------------|--------------|--------------|
| A: 3.15 (80) | C: 2.44 (62) | E: 2.76 (70) |
| B: 4.33 (110) | D: 3.62 (92) | F: 0.79 (20) |

LDS662_A 05/09