

**PROFIPAQ-L**

**Universal High-performance Profibus-PA Transmitter**



PROFIPAQ-L

Thanks to the digital output PROFIPAQ-L offers very accurate measurements as well as sensor and process information. With five input terminals new features such as two redundant Pt100 in 3-wire connection, are included. Configuration from a PC with Inor software, ProfiSoft, or over the Profibus network.

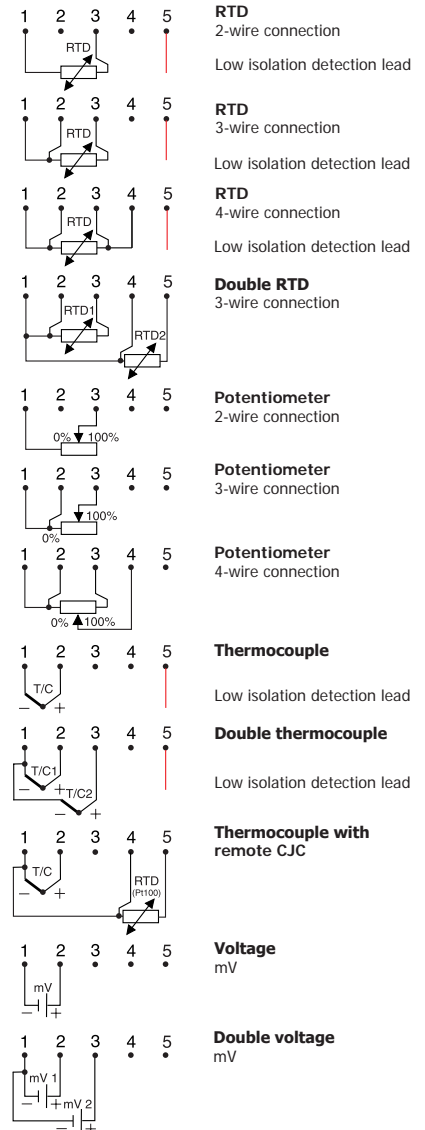
- Up to 125 transmitters in one Profibus network
- Profile version 3.0, Class A & B
- Fully universal, linearized and isolated
- Accepts RTD, T/C, mV and  $\Omega$
- Double Pt100, 3-wire, and T/C input
- Multiple outputs: Input value of Ch1 and Ch2, a scaled process value, redundancy with double sensor elements, arithmetic functions (difference, average, minimum and maximum)
- Easy wiring, plug-in screw terminals
- Sensor matching corrects for sensor errors
- 50 point linearization – any sensor can be matched
- Excellent sensor monitoring functions such as: sensor break, sensor short circuit, low sensor isolation and sensor aging
- Up to 8 Masters Class 2
- Integrated in Siemens PDM system

**Specifications:**

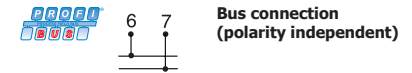
<b>Input RTD and Resistance</b>	2-, 3- and 4-wire connection
Pt10 <sup>1)</sup> , Pt50 <sup>1)</sup> , Pt100 <sup>1)</sup> , Pt200 <sup>1)</sup> , Pt500 <sup>1)</sup> , Pt1000 <sup>1)</sup>	-200 to +850 °C / -328 to +1562 °F
PtX 10 ≤ X ≤ 1000 <sup>1), 4)</sup>	-200 to +850 °C / -328 to +1562 °F
Pt10 <sup>2)</sup> , Pt50 <sup>2)</sup> , Pt100 <sup>2)</sup>	-200 to +850 °C / -328 to +1562 °F
Ni50 <sup>3)</sup> , Ni100 <sup>3)</sup> , Ni120 <sup>3)</sup> , Ni1000 <sup>3)</sup>	-200 to +850 °C / -328 to +1562 °F
<b>Input Potentiometer / Resistance</b>	0 to 4000 $\Omega$
<b>Input Thermocouples</b>	B, C, D, E, J, K, L, N, R, S, T, U
Input Voltage	-10 to +1000 mV
<b>Double channels for redundancy and arithmetic functions</b>	
Differential	Ch1 - Ch2 or Ch2 - Ch1
Average value	0.5 x (Ch1 + Ch2)
Average value with redundancy	0.5 x (Ch1 + Ch2), Ch1 or Ch2 if the other one is broken
Minimum value	Min (Ch1, Ch2)
Maximum value	Max (Ch1, Ch2)
<b>Operating temperature</b>	-20 to +70 °C / -4 to +158 °F
<b>Galvanic isolation</b>	1500 VAC, 1 min
<b>Power supply</b>	9 to 32 VDC
<b>Typical accuracy</b>	Pt100: 0.10 °C / 0.18 °F <sup>5)</sup>
<b>Mounting</b>	Rail acc. to DIN EN50022, 35 mm

<sup>1)</sup>IEC 60751,  $\alpha=0.00385$  <sup>2)</sup>JIS 1604,  $\alpha=0.003916$  <sup>3)</sup>IEC 60751,  $\alpha=0.006180$  <sup>4)</sup>With Inor PC software ProfiSoft  
<sup>5)</sup>For other inputs, see datasheet

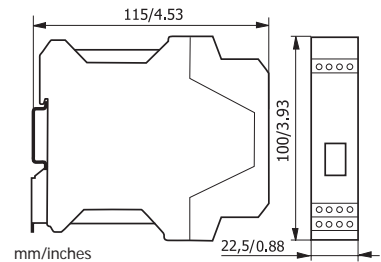
**Input connections**



**Output connections**



**Dimensions**



**Ordering information**

PROFIPAQ-L	70PPL00001
PC Configuration kit	70CFG00092
Configuration	70CAL00001