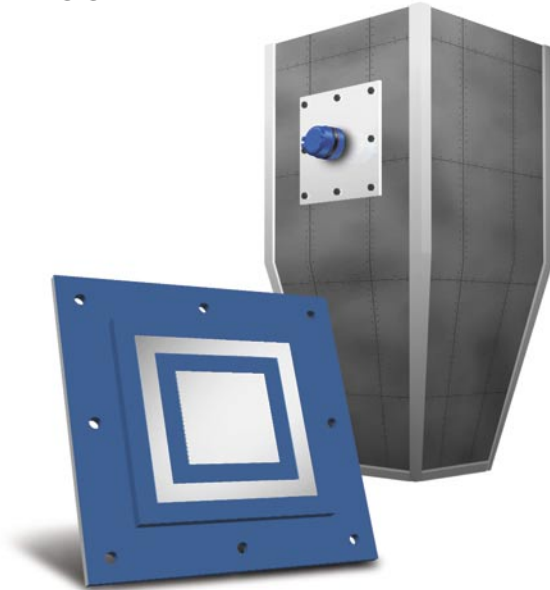


IntelliPoint RF™ Series

Point Level Switch for Plugged Chute Detection



Intelligent Electronics

- Cote Shield™ Technology
- Universal power supply automatically detects input power source.

Diverse Applications

- Detects the presence of plugged material in chutes

Output

- (2) SPDT relays

Dual Compartment Housing

- Power supply is isolated from sensing element and circuit board.

Remote Mounted Electronics

- Unlike many technologies, electronics are remote mounted to a convenient location away from vibration.

Eliminate Costly Plugged Chutes with Drexelbrook Sensors!

Downtime is expensive and so is the clean up of process spills.

Reliable detection of plugged chutes will keep your plant running smoothly and virtually eliminate spills that occur because of plugged conditions.

Drexelbrook's Flush-Mounted Sensors

reliably detect presence or absence of material flowing through chutes. If process material stops flowing due to a plugged condition, the system will alarm, allowing further action to occur (alerting an operator, shutting down a conveyor belt, etc.). This permits the operator to prevent a problem before it happens.

Rugged sensor design

makes these systems ideal for coal (pulverizer and transfer chutes), wood chips, ores, powders, etc. Since they are flush mounted through a chute wall, nothing protrudes into the chute to interfere with or to obstruct material flow.

Dust coating and/or wall build up will not affect the measurement.

Drexelbrooks Cote-Shield circuitry "Sees" through any coating condition and eliminates false plugged chute signals.

Curved and flat sensors are available.

Chutes vary in size and shape. We have a sensor design to fit your chute.



Point Level Measurement

IntelliPoint RF Series

Specifications

Technology:

RF Admittance.

Calibration:

Manual Setpoint.

Modes Of Operation:

High and Low Level.

Repeatability:

2 mm (0.08 inch) conductive liquids.

Response Time:

less than one second.

Ambient Electronic Temperature:

-30 to 70°C (-28 to 158°F) KEMA.

-40 to 70°C (-40 to 158°F) FM.

Storage Temperature:

-40 to 85°C (-40 to 185°F).

Indicators:

LEDs: Green Power, Red Relay 1, Red Relay 2.

Time Delay:

0-60 seconds, forward or reverse-acting.

Supply Voltage:

85-250 Vac

21-100 Vdc auto-detecting without jumpers

DC to 400 Hz.

Power Consumption:

2 watts maximum.

Relay Contacts:

(2) SPDT.

Maximum Contact Load:

5A/30 Vdc.

5A/250 Vac.

Maximum Switching Capacity:

2000 VA/150 Watt.

Minimum Contact Load (DC):

100 mA/12 Vdc.

DeviceNet Output (Optional):

Device Type -Generic

Communications - Group 2 Slave Only

Messages Supported -Polled, Bit Strobed, Explicit

Baud Rates - 125K, 250K, 500k

Housing:

Dual Compartment, Powder-Coated aluminum with two cable entries.

Cable Entry:

M20 x 1.5 CENELEC

3/4-inch NPT FM/CSA.

Ingress Protection:

IP66 NEMA 4X.

Approvals:

Integral

II 1/2 GD EEx d[ia] IIC T5...T2  0344

T90°C KEMA 01 ATEX 2187X

Temperature Class Process Temperature


T5 100°C

T4 135°C

T3 200°C

T2 230°C

Remote

I 1/2 GD EEx d[ia] IIC T5  0344

T90°C KEMA 01 ATEX 2187X

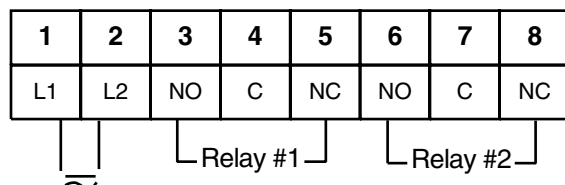


Explosionproof for Class I, Division 1, Groups A, B, C and D; Dust-Ignitionproof for Class II, III, Division 1, Groups E, F and G; Nonincendive for Class I, Division 2, Groups A, B, C & D; Suitable for Class II, III, Groups F & G hazardous outdoor Type 4X, IP66 (classified) locations with Intrinsically Safe connections to Class I, II, III, Division 1, Groups A, B, C, D, E, F and G hazardous (classified) locations in accordance with Control Drawing 420-0004-144-CD.



XP with Intrinsically Safe sensing element for Class I, Division 1, Groups A, B, C and D; Class II, Division 1, Groups E, F, G and Class III, Division 1 Class I, Division 2, Groups A, B, C, D with Intrinsically Safe sensing element for Class I, Division 1, Groups A, B, C, D; Class II, Division 2, Groups F & G and Class III, Division 1 with Intrinsically Safe sensing element for Class II, Division 1, Groups F & G and Class III, Division 1. **Max. Amb. +70C Install per 420- 0004-145-CD** Ex d [ia] IIC T5 zone 0/1/2
A seal shall be installed within 50mm of enclosure.

Wiring

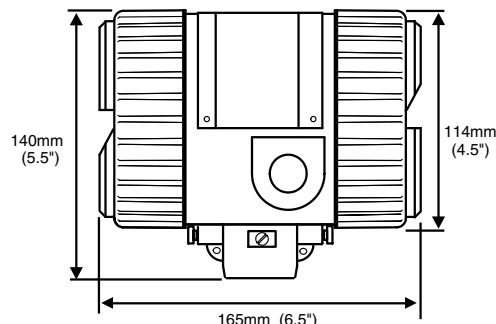


85 to 250 Vac

21 to 100 Vdc

Auto-Detecting

Dimensions



Point Level Measurement

IntelliPoint RF Series

Model Numbering

IntelliPoint RF™

● Technology

R RF Admittance

● Measurement Type

M Manual Set Point, Point Level

G Manual Set Point, Point Level, High Sensitivity

● Input

L Universal Power Supply 21-100 VDC, 85-250 VAC, 0-400 Hz

● Housing

- 0** No Approvals, Dual Compartment NEMA 4X/IP66, M20 x 1.5 conduit entries
- 1** No Approvals, Dual Compartment NEMA 4X/IP66 ¾" NPT conduit entries
- 2** CENELEC/ATEX Approved, Dual Compartment NEMA 4X/IP66 M20x1.5 conduit entries
- 3** FM Approved, Dual Compartment NEMA 4X/IP66 ¾" NPT conduit entries
- 4** CSA Approved, Dual Compartment NEMA 4X/IP66 ¾" NPT conduit entries

● Electronics

- 1** Remote, no cable
- 2** Remote with 3 m (10 feet) cable
- 3** Remote with 7.6 m (25 feet) cable
- 4** Remote with 10.6 m (35 feet) cable
- 5** Remote with 15.2 m (50 feet) cable
- 6** Remote with 23 m (75 feet) cable

● Output

- 1** Two SPDT Relays

● Sensing Element

Plugged Chute Detection (1) Available with remote electronics only (2) Use P00X mounting option

Application	Sensing Element	Pressure/Temperature	Wetted Parts
50 Flush Mount Sensor 305mm ² (12 inches ²) heavy duty	700-0207-001	0.1 bar @ 82°C (1 PSI @ 180°F)	304 SS and Polyurethane
51 Flush Mount Sensor 305mm ² (12 inches ²) higher temperature	700-0207-002	0.1 bar @ 149°C (1 PSI @ 300°F)	304 SS and TFE
52 Flush Mount Sensor 305mm ² (12 inches ²) with curved radius 153, 229, 305 mm (6, 9, or 12 inches)	700-0207-003	0.1 bar @ 82°C (1 PSI @ 180°F)	304 SS and Neoprene
53 Flush Mount Sensor 305mm ² (12 inches ²) extra heavy duty	700-0207-004	0.1 bar @ 82°C (1 PSI @ 180°F)	410 SS and UHMW Polyethylene
55 Flush Mount Sensor 203mm ² (8 inches ²) heavy duty	700-0207-006	0.1 bar @ 82°C (1 PSI @ 180°F)	304 SS and Polyurethane

● Mounting Type (See separate Mounting Chart for first three digits)

P00X **IL** **CSL**
IL/CSL factory set for Plugged Chute

R L 1 P 0 0 X

Point Level Measurement

IntelliPoint RF Series

Notes:

U.S.A. Sales: 800-553-9092 • 24-Hour Service: 800-527-6297 • International Support: 215-674-1234 • Fax: 215-674-2731

AMETEK[®]
DREXELBROOK

205 Keith Valley Road
Horsham PA 19044 U.S.A.
E-mail-drexelbrook.info@ametek.com
Web-www.drexelbrook.com

AMETEK Nihon Drexelbrook
2 Chome • 12-7 Minami Gyotoku
Ichikawa City • Chiba 27201 Japan
Phone: 81-473-56-6513
Fax: 81-473-56-6535
E-mail: nd@nihon-drexelbrook.co.jp

AMETEK Singapore Pte. Ltd.
10 Ang Mo Kio Street 65
#05-12 Techpoint • 569059 Singapore
Phone: 65-6484-2388
Fax: 65-6481-6588
E-mail: aspl@ametek.com.sg

AMETEK Precision Instruments Europe
Rudolf-Diesel-Strasse 16
D-40670 Meerbusch Germany
Phone: 49-2159-9136-0
Fax: 49-2159-9136-39
Web: www.ametek.de