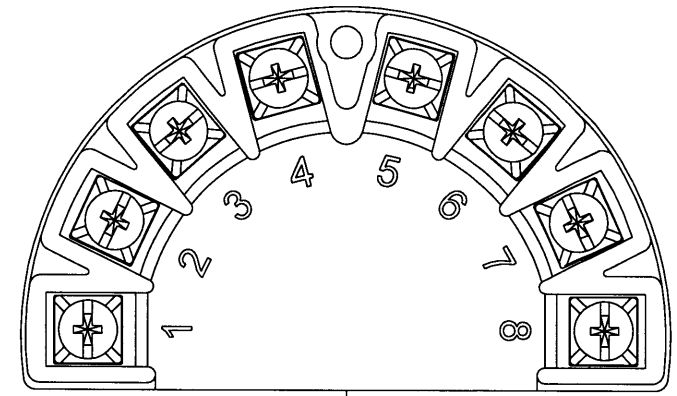
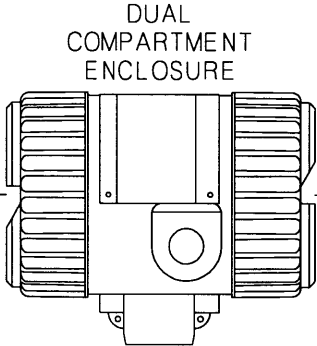
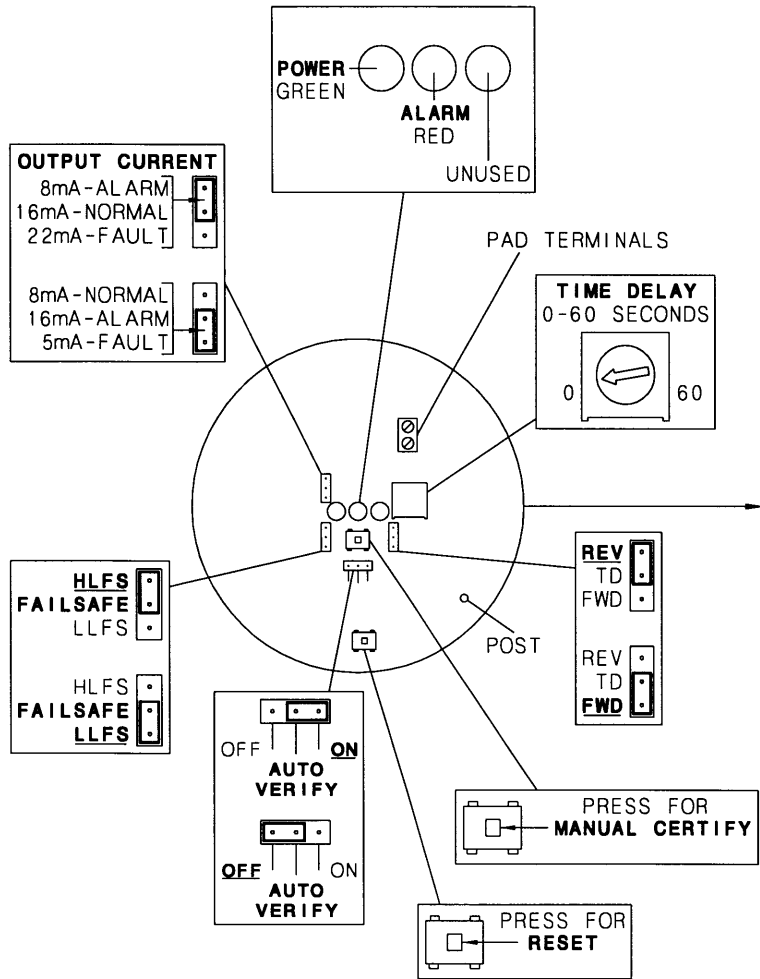
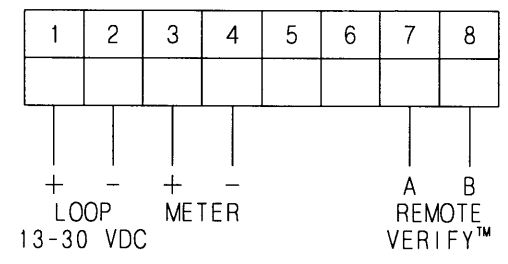


RF TWO WIRE CIRCUIT BOARD
CONFIGURATION

RF TWO WIRE SUPPLY
WIRING DETAIL



WIRING



| | | | | | |
|-----------|----------|------|-------------|--------------------|----------|
| CERTIFIED | by _____ | | | | |
| PO # | _____ | | | | |
| ENG | _____ | | | | |
| USER | _____ | | | | |
| | | 1 | 11-02-242 | <i>[Signature]</i> | 11-18-02 |
| DE # | _____ | ISS. | EDO/DSR NO. | APP'D | DATE |

COPYRIGHT 2002
AMETEK DREXELBROOK

SCALE NONE
UNLESS OTHERWISE STATED
ALL DIMENSIONS IN INCHES (MM)

DR. CDW
CK. *25 11/15/02*

METEK®
DREXELBROOK

205 KEITH VALLEY RD
HORSHAM, PA 19044-9986

215-674-1234
FAX 215-674-2731

INTELLIPOINT™
REMOTE
RF TWO WIRE

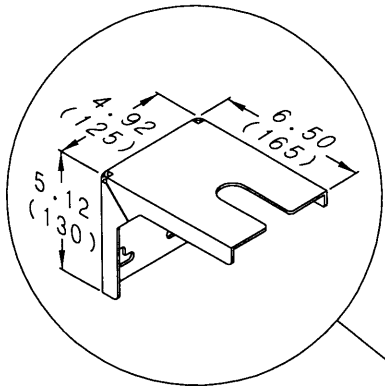
RNTX-X1XX-XXXX-CD

SHT. 1 OF 2
ISS. 1 OF 1

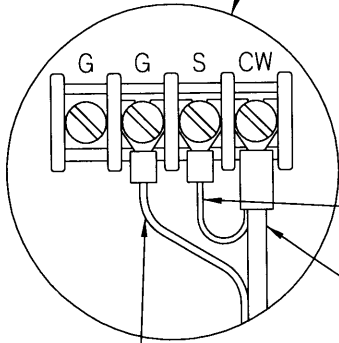
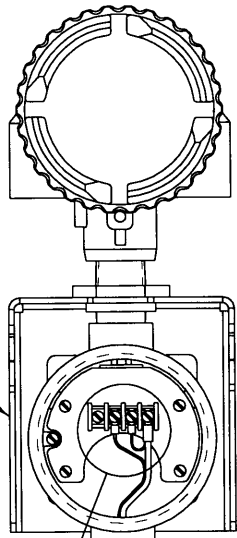
NO. RNTX-X1XX-XXXX-CD

SHT. 1 OF 2

REMOTE RF TWO WIRE



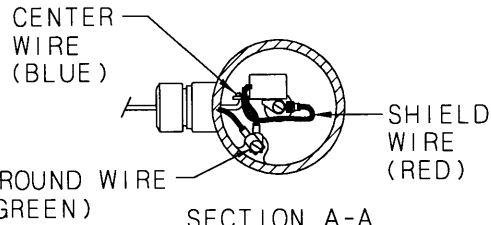
NOTE: HOUSING AND BRACKET ARE SHOWN ROTATED 90° FOR CLARITY.



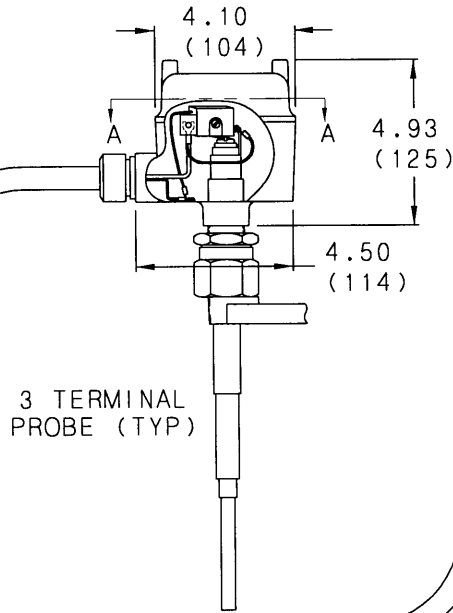
GROUND WIRE (GREEN)

SHIELD WIRE (RED)

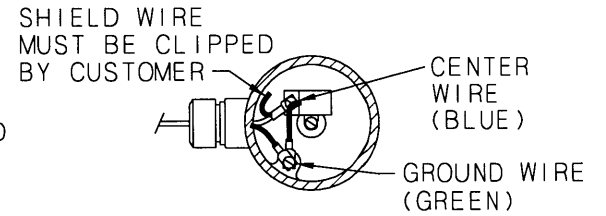
CENTER WIRE (BLUE)



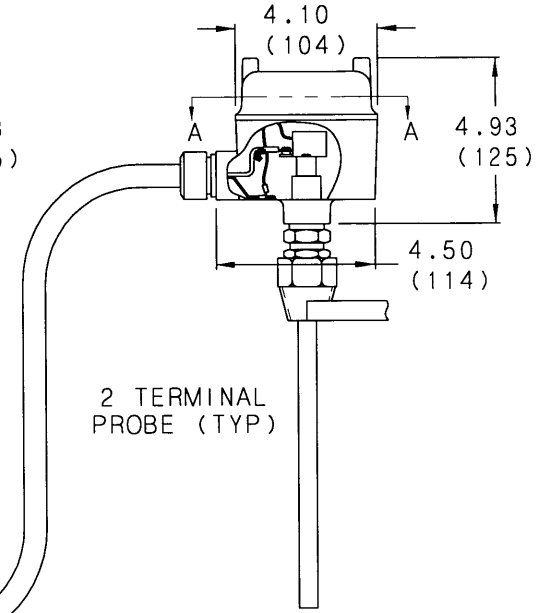
SECTION A-A



3 TERMINAL PROBE (TYP)



SECTION A-A



2 TERMINAL PROBE (TYP)

| | | | | | |
|------------|----------|-------------|--------------------|----------|-------------------------------|
| CERTIFIED | by _____ | | | | COPYRIGHT 2002 |
| PO # _____ | | | | | AMETEK DREXELBROOK |
| ENG _____ | | | | | SCALE NONE |
| USER _____ | | | | | UNLESS OTHERWISE STATED |
| | | | | | ALL DIMENSIONS IN INCHES (MM) |
| | 1 | 11-02-242 | <i>[Signature]</i> | 11-18-02 | DR. CDW |
| DE # _____ | ISS. | EDO/DSR NO. | APP'D | DATE | CK. <i>[Signature]</i> |

METEK[®]
DREXELBROOK

205 KEITH VALLEY RD
 HORSHAM, PA 19044-9986

215-674-1234
 FAX 215-674-2731

INTELLIPOINT[™]
 REMOTE
 RF TWO WIRE

RNTX-X1XX-XXXX-CD

SHT. 2 OF 2
 ISS. OF 2

NO. RNTX-X1XX-XXXX-CD

SHT 2 OF 2