

EEx - Time Delay Pushbutton Module EEx dem IIC T6

- external electronic time delay switch -

ISO 9001

DATA SHEET 02-0270 12/03

Application:

This electronic timer allows timed illumination or other timed process operations. They are mainly used with Ex rated Lumiglas luminaires.

Installation costs are significantly reduced as the cables do not need to be fed through costly compression type cable glands. There is no need for an extra control line as the timer is installed in line between supply cable and luminaire.

After activating the timer, the luminaire turns on and stays on until the preset time has elapsed. If the button is activated a second time while the luminaire is on, time counting starts again.

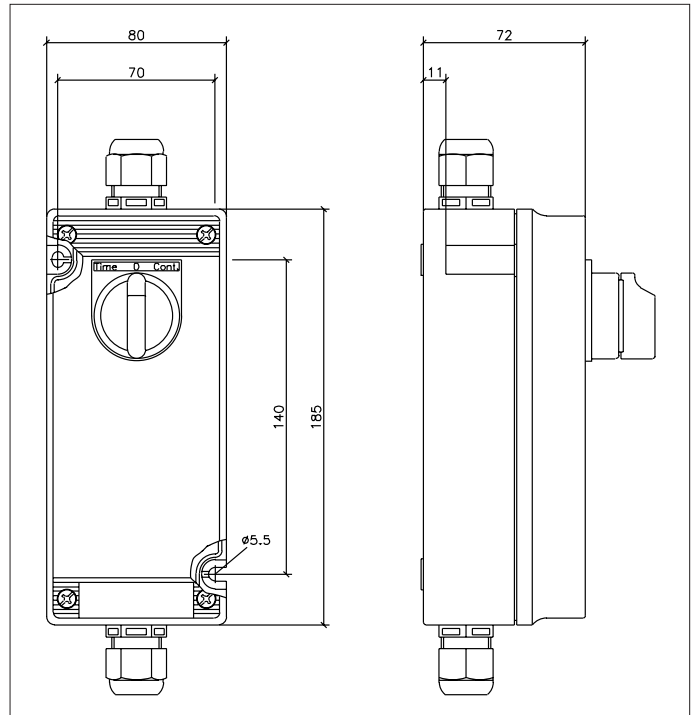
Continuous on mode can be activated by turning the switch to "On". If the timer is activated and the switch is turned to "On" and then "Off", the unit will remain in operation for the preset time interval.

Technical Data:

Ignition group	EEx dem IIC T6
Protection	IP65 to EN60529/DIN VDE 0470 Part 1
Nominal voltage	24V, 120V, 230V
Ambient temperature	-20°C to 40°C
Connection	2 x 2.5 mm ² , fine core
Time range	Factory set for 3,5,10 or 30 min. (please specify)
Exit contact	1 switch relay
Max. nom. current	12A
Max. switching power AC	1000W/3000VA, 250V, AC
Max. switching current DC	12A, 24V, DC
Housing material	Polyester resin



Lumiglas EEx time delay module with pushbutton start.



Lumiglas EEx time delay module.

ISO 9001/EN 29001 CERTIFICATE #: QA 04 100 32 96

GERMAN MANUFACTURER:

F.H. PAPANMEIER AWARDED QA APPROVAL CERTIFICATE



All dimensions in mm unless stated otherwise
Subject to change without prior notice