



Installation Switch Series 8030

- Explosion protection to
 - CENELEC
 - IEC
- For use in
 - Zone 1 and Zone 2
 - Zone 21 and Zone 22
- Degree of protection IP 65
- Robust moulded plastic enclosure
- Large switch lever with phosphorescent inlaid strip



The installation switches Series 8030 are used for lighting installations. For greater clarity when the lighting fails, a phosphorescent strip is inlaid in the switch lever.

The switch position is shown unambiguously by the 90° action. This is especially convenient if lights and switch are in different rooms.

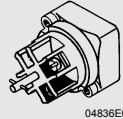

Selection table																					
Version		Schematic	Ordering code	Weight kg																	
Installation Switch Series 8030	On-off-switch	<table border="1"> <tr><td>0°/360°</td><td>X</td><td>X</td></tr> <tr><td>90°</td><td>X</td><td>X</td></tr> <tr><td>180°</td><td></td><td></td></tr> <tr><td>270°</td><td>X</td><td>X</td></tr> </table>	0°/360°	X	X	90°	X	X	180°			270°	X	X	8030/51-033	0,600					
	0°/360°	X	X																		
90°	X	X																			
180°																					
270°	X	X																			
Changeover switch	<table border="1"> <tr><td>0°/360°</td><td>X</td><td>X</td></tr> <tr><td>60°</td><td></td><td>X</td></tr> <tr><td>120°</td><td>X</td><td></td></tr> <tr><td>180°</td><td>X</td><td>X</td></tr> <tr><td>240°</td><td>X</td><td></td></tr> <tr><td>300°</td><td></td><td>X</td></tr> </table>	0°/360°	X	X	60°		X	120°	X		180°	X	X	240°	X		300°		X	8030/51-035	0,615
0°/360°	X	X																			
60°		X																			
120°	X																				
180°	X	X																			
240°	X																				
300°		X																			

Zones 1 & 2, 21 & 22

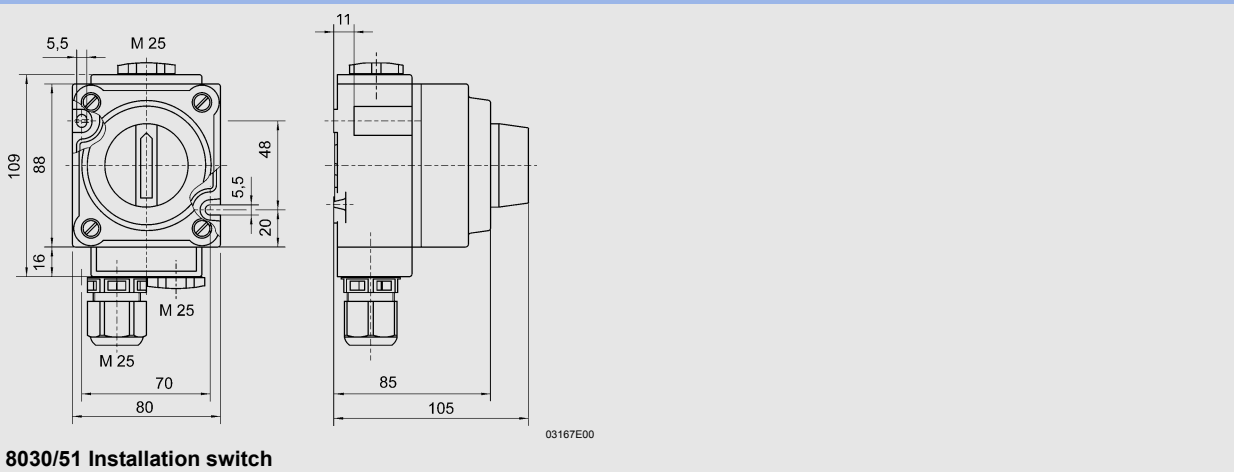
Technical Data

Explosion protection				
Gas explosion protection	⊕ II 2 G EEx ed IIC T6			
Dust explosion protection	⊕ II 2 D IP65 T80 °C			
Certificates				
Gas explosion protection	PTB 02 ATEX 1026			
Dust explosion protection	LCIE 03 ATEX 6306			
Other certificates	IECEX, FM (USA), BKI (Hungary), CTB (Russia)			
Enclosure material	Polyester, cover in polyamide			
Cover fixing	M 5, cheese head screws			
Rated voltage	500 V, AC ; 250 V, DC			
Switching capacity	AC	230 V / 400 V		
	AC 1	16 A		
	AC 11	6 A		
	DC	60 V -	110 V -	220 V / 250 V -
	DC 1	10 A	-	-
	DC 11	1 A	0.6 A	0.4 A
	L/R = 100 ms			
Contacts	2-pole			
Life	≥ 10 ⁶ operations			
Ambient temperature	- 50 °C ... + 60 °C			
Degree of protection	IP 65			
Terminals	2.5 mm ² , screw terminals			
Cable entry	1 x M 25 x 1.5 cable gland 2 x M 25 x 1.5 stopping plugs			

Accessories and spare parts

Designation	Illustration	Description	Ordering code	Weight kg
On-off-switch switching component		2-pole for installation switches 8030/51 - 033	8008/2-033	0,128
		Changeover for installation switches 8030/51 - 035	8008/2-035	0,128
Cable gland		8161/5-M 25-17 1 piece	8161/5-M25-17	0,016

Dimension drawings (all dimension in mm) - subject to alterations



We reserve the right to make alterations to the technical data, weights, dimensions, designs and products available without notice. The illustrations cannot be considered binding.

