

## Maintenance Socket Isolator Series 8570, 8571, 8579

- Explosion protection to
  - CENELEC
  - IEC
- For use in
  - Zone 1 and Zone 2
  - Zone 21 and Zone 22 (8570 resp. 8571)
  - Zone 22 (8579)
- With warning „Do not switch when there is an explosion hazard“
- Signal light to indicate operating condition
- Mains switch has motor switching capacity
- Lockable



01878E00

Maintenance socket isolators are used to carry out repairs in hazardous areas in which there is equipment without explosion protection.

Special maintenance socket isolators are needed to connect these units, consisting of an explosion-protected socket, with Ex disconnect switch and contact system for Non-Ex plugs according IEC 60309.



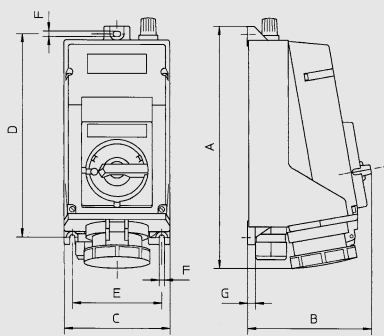
# Zones 1 & 2, 21 & 22

Selection table							
Version	Number of pins	Voltage [V]	Colour	Frequency [Hz]	h	Ordering code	Weight kg
16 A Maintenance socket isolator	3 P (1 P + N + PE) 06190E00	200 - 250	blue	50/60	6	<b>8570/51-306</b>	1,200
	5 P (3 P + N + PE) 06555E00	200/346 - 240/415	red	50/60	6		
32 A Maintenance socket isolator	5 P (3 P + N + PE) 06555E00	200/346 - 240/415	red	50/60	6	<b>8571/51-506</b>	2,300
63 A Maintenance socket isolator	5 P (3 P + N + PE) 06555E00	200/346 - 240/415	red	50/60	6	<b>8579/51-506</b>	5,500

Note Other versions with regard to frequency and voltage to IEC / EN 60 309-1 / -2 (CEE) upon request.

Technical Data			
Socket	8570/51	8571/51	8579/51
Explosion protection			
Gas explosion protection	⊕ II 2 G EEx ed IIC T6	⊕ II 2 G EEx ed IIC T6	⊕ II 2 G EEx ed IIC T6 or T4
Dust explosion protection	⊕ II 2 D IP66 T80 °C	⊕ II 2 D IP66 T80 °C	⊕ II 3 D IP 66 T95 °C, T130 °C
Certificates			
Gas explosion protection	PTB 06 ATEX 1008 X	PTB 06 ATEX 1007 X	PTB 02 ATEX 1137 X
Dust explosion protection	PTB 06 ATEX 1008 X	PTB 06 ATEX 1007 X	--
Rated voltage	max. 415 V	max. 415 V	max. 415 V
Rated current	16 A	32 A	63 A
Switching capacity	AC 3:	AC 3	AC 3
	4 kW: 220 V 230 V 240 V	15 kW: 380 V 400 V 415 V	30 kW: 380 V 400 V 415 V
	7.5 kW: 380 V 400 V 415 V		
Number of pins	1 P + N + PE, 3 P + N + PE	3 P + N + PE	3 P + N + PE
Ambient temperature	- 20 °C ... + 40 °C (- 50 °C ... + 55 °C on request)		
Interlocked switch	max. 4 pole switch with isolating characteristics		
Handle	Actuator is lockable in OFF position		
Enclosure material	Polyamide		Polyester resin
Degree of protection	IP 66	IP 66	IP 66
Terminals	2 x 6 mm <sup>2</sup> (solid) 2 x 4 mm <sup>2</sup> (flexible)	2 x 10 mm <sup>2</sup> (solid) 2 x 6 mm <sup>2</sup> (flexible)	1 x 35 mm <sup>2</sup>
Cable entries			
Cable gland	1 x M 25 x 1.5	1 x M 32 x 1.5	1 x M 50 x 1.5
Stopping plug	1 x M 25 x 1.5	1 x M 25 x 1.5	1 x M 25 x 1.5

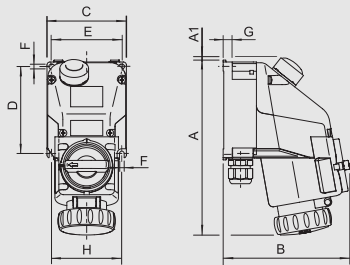
### Dimension drawings (all dimensions in mm) - subject to alterations



04456E00

Type	A	B	C	D	E	F	G
8579/51-506 (63 A, 3 P + N + $\downarrow$ )	407	212	180	342	152	9	13

### 8579/51-... 63 A Maintenance Socket Isolator

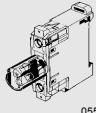



11092E00

Type	A	B	C	D	E	F	G
8570/51-306 (16 A, 1P + N + $\downarrow$ )	232	168	105	115	94	6.2	12
8570/51-506 (32 A, 3 P + N + $\downarrow$ )	248	181	115	125	104	6.2	12
8571/51-506 (32 A, 3 P + N + $\downarrow$ )	281	207	135	150	124	6.2	12

### 8570/51-3..; 8570/51-5..; 8571/51-5.. 16 A / 32 A Maintenance Socket Isolator

### Accessories and spare parts

Designation	Illustration	Description	Ordering code	Weight kg
Indicating lamp for 8570 / 8571	 05559E00	12 V - 254 V AC / DC	<b>8010010010</b>	0,035
Indicating lamp for 8579	 05303E00	220 V      E 14 / 20	<b>8097911620</b>	0,004

We reserve the right to make alterations to the technical data, weights, dimensions, designs and products available without notice. The illustrations cannot be considered binding.

