



06345E00

Sockets and Plugs Series TEF 1531

- TEF 1531:
Socket and junction box
– 10 A DC - 16 A AC
- TEF 1536:
Socket and switch
– 16 A DC/AC - 250 V
– drilled and tapped for 4 x Pg
16
- TEF 1581: plug
– for TEF 1531 and TEF 1536
– 10 A DC - 16 A AC
- TEF 1583: cable coupler
– for TEF 1581
- For use in
– Marine application
– Safe Area



STAHL

Safe Area

Selection Table

Version	Description	Ordering code	Weight kg
Socket and junction box Serie TEF 1531	10 A DC - 16 A AC	TEF1531000	1,050
Socket and switch Serie TEF 1536	16 A DC/AC - 250 V	TEF1536000	1,450
Plug Serie TEF 1581	10 A DC - 16 A AC, for TEF 1531 and TEF 1536	TEF1581001	0,700
Cable coupler Serie TEF 1583	for TEF 1581, plastic	TEF1583001	0,800

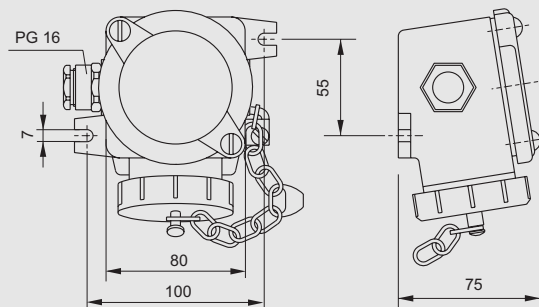
Technical Data

Certificates	TEF 1536:  Group 14.3.165 TEF 1581:  Group 14.3.265 (built in accordance with DIN 89262/220)
Material	Socket: brass Plug: plastic
Cable entries	Pg 16
Degree of protection	IP 56

Accessories and Spare Parts

Designation	Description	Ordering code	Weight kg
Cable gland	Pg 16	510100010070	0,050

Dimension drawings (all dimensions in mm) - subject to alterations



06378E00

We reserve the right to make alterations to the technical data, weights, dimensions, designs and products available without notice. The illustrations cannot be considered binding.

STAHL