

STAINLESS STEEL PRESSURE GAUGES

THE SIMPLICITY, ACCURACY AND RELIABILITY OF 3D INSTRUMENTS' DIRECT DRIVE DESIGN PRESSURE GAUGE ARE AVAILABLE IN 2 1/2 INCH AND 4 1/2 INCH STAINLESS STEEL CASES. NO GEARS OR LEVERS MEANS FEWER PROBLEMS AND LONGER LIFE.



FEATURES

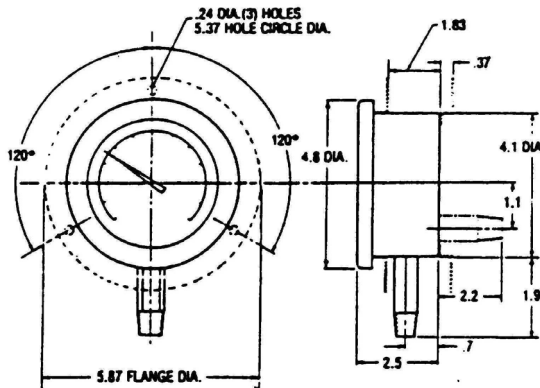
- Corrosion resistant
- Watertight
- Rugged construction
Stainless steel, electro-polished case,
Acrylic crystal with positive seal
- Standard 3D quality materials
Inconel X-750 helical bourdon tube sensor
Sapphire bearings
Stainless steel connecting capillary
Stainless steel fitting
- Full product ranges
All pressure ranges
Process (2550) and test (2544 & 2555)
accuracy
- Manufactured to ASME B-40.1
- Six year warranty

APPLICATIONS

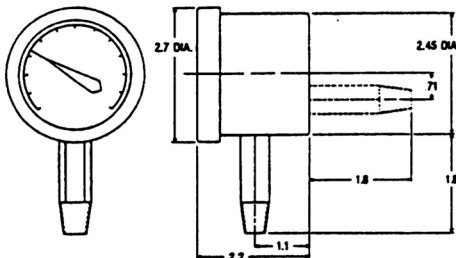
Typical applications for this handsome weather and corrosion resistant gauge include:

- Corrosive environments often encountered in chemical plants
- Harsh weather in offshore locations
- Ambient and media conditions occurring near boilers, furnaces, ovens and steam. Conditions often arising in steel, glass, power, refineries and petro-chemical plants
- Sanitary requirements in food, beverage and pharmaceutical applications

It adds up to durability, accuracy and long run economy for the user



4 1/2 INCH DIMENSIONS



2 1/2 INCH DIMENSIONS

SPECIFICATIONS

Pressure Ranges: 0-30 to 0-20,000 psig and equivalent ISO and metric

Compound Gauges: 30 in. Hg/0-30 psi to 30 in. Hg/0-300 psig

Vacuum Gauges: 0-30 in. Hg

Receiver Gauges: 3-15 psig or 3-27 psig with square root or linear scale

Accuracy: Series 2554: $\pm 0.25\%$ of span
Series 2555: $\pm 0.5\%$ of span
Series 2550: $\pm 0.5\%$ of span at mid-range, $\pm 1\%$ overall

Ambient Temperature: -100°F to 200°F
(-73°C to 93°C)

Dial Size: 2 1/2 inches (63mm) (nominal)
4 1/2 inches (114 mm) (nominal)

Operating Media: Any media suitable for contact with 316 stainless steel and Inconel X-750

Materials: Case 300 Series stainless steel, electro-polished
Dial: 300 Series stainless steel or ABS (2.5" only)

Crystal: 2 1/2: Lexan (or Optional Glass)
4 1/2: Acrylic (or Optional Glass)

Flanges: 300 Series stainless steel (optional)

Sensing Element: Inconel X-750

Fittings: 316 Series Stainless Steel
4 1/2: 1/4 inch or 1/2 inch NPT
2 1/2: 1/4 inch bottom or back connect



ORDERING INFORMATION

The 31D pressure gauge in an electro polished stainless steel case can be ordered by using the digit "5" in the last position of the part number

Example: 25504-25B55

2550 -Pressure gauge 0 5% accuracy (mid-range)
4 -Size of dial - 4 1/2 inches
-25 -200 psi
B -1/4 inch NPT male fitting
5 -no flange, bottom fitting
5 -stainless steel case

See 3D 2001 Direct Drive Catalog No. KT 014 for complete ordering information.

The complete range of flange and fitting locations as designated by the last two digits in the 3D part number is

15 -front flange bottom fitting stainless steel case
25 front flange back fitting stainless steel case
35-back flange bottom fitting, stainless steel case
45-back flange, back fitting, stainless steel case
55 -no flange bottom fitting, stainless steel case
65-no flange, back fitting, stainless steel case

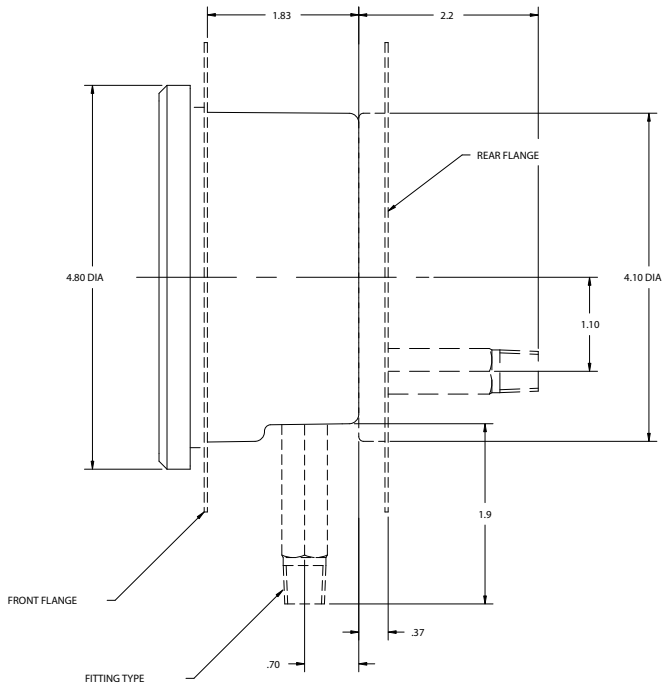
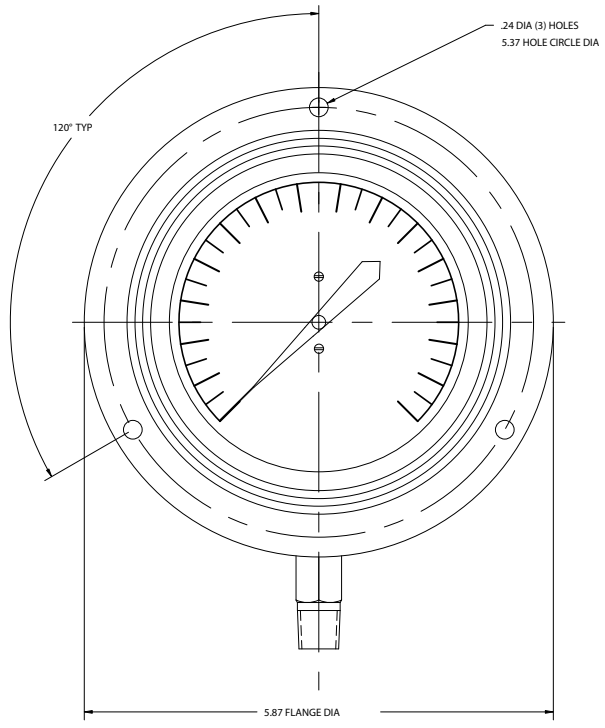
Your local 3D Instrument distributor:



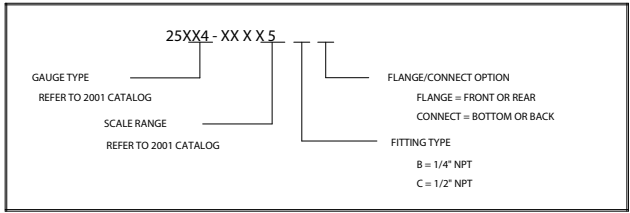
15542 Chemical Lane, Huntington Beach, CA 92649
Phone: (714) 894-5351 * FAX: (714) 895-4309

THE INFORMATION DISCLOSED HEREIN WAS ORIGINATED BY AND IS THE PROPERTY OF 3-D INSTRUMENTS, INC. AND DESCRIP FOR RIGHTS EXPRESSLY GRANTED TO THE UNITED STATES GOVERNMENT, 3-D INSTRUMENTS, INC. RESERVES ALL PATENT, PROPRIETARY, DESIGN, USE, SALE, MANUFACTURING AND REPRODUCTION RIGHTS THERE TO.

REVISIONS				
REV.	DESCRIPTION	DATE	BY	APPROVED



FLANGE ATTACHMENT OPTIONS.



NOTES:

1. TOLERANCE: XX = ±.06, X = ±.12

QTY.	ITEM NO.	PART NO.	DESCRIPTION
QUANTITY PER VERSION			
UNLESS OTHERWISE SPECIFIED			
APPROVALS		PARTS LIST	
DESIGN	C. COJULIN	4-5-94	
CHECKED			
ENGINEERING			
DWG.			
PRODUCTION			
AUTOCAD FILE NAME	25XX4500.DWG	SCALE	FULL
TITLE		SHEET	1 OF 1
S.S. PRESSURE GAUGE OUTLINE DRAWING		DATE	04/05/00
SIZE		ISSUE NO.	25XX4-XXXX5
C 52159		REV.	
<p>3-D Instruments, Inc. <i>Dread Drive Difference</i></p> <p>10540 CHEMICAL LANE HUNTINGTON BEACH, CA 92649 TEL: 714-894-5205 FAX: 714-894-4038</p>			

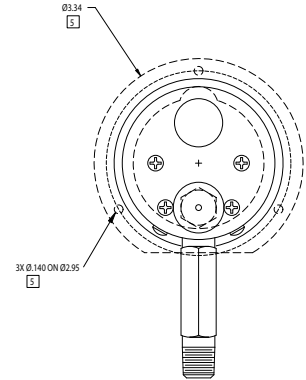
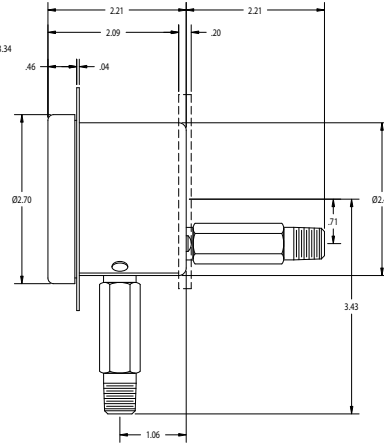
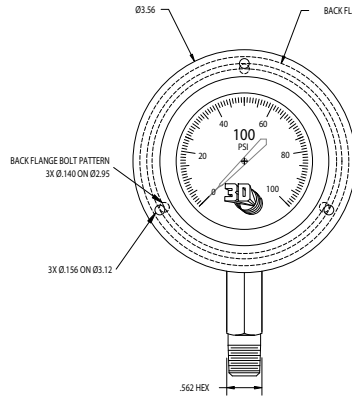
REV.	DESCRIPTION	DATE	BY	APPROVED
A	NEW RELEASE	07-06-00	TDM	

PART NUMBER DESCRIPTION

25502-XXYX5

- CLASSIFICATION: 5 = PRESSURE
 ACCURACY: SEE NOTE 1
 SCALE SIZE: 2.5"
 SCALE RANGE: -21 (30 PSI)
 SCALE RANGE: -22 (60 PSI)
 SCALE RANGE: -23 (100 PSI)
 SCALE RANGE: -24 (150 PSI)
 SCALE RANGE: -25 (200 PSI)
 SCALE RANGE: -26 (300 PSI)
 SCALE RANGE: -27 (500 PSI)
 SCALE RANGE: -28 (600 PSI)
 SCALE RANGE: -29 (1000 PSI)
 SCALE RANGE: -31 (1500 PSI)
 SCALE RANGE: -32 (2000 PSI)
 SCALE RANGE: -33 (3000 PSI)
 SCALE RANGE: -34 (4000 PSI)
 SCALE RANGE: -35 (5000 PSI)
 SCALE RANGE: -36 (6000 PSI)
 SCALE RANGE: -37 (8000 PSI)
 SCALE RANGE: -38 (10000 PSI)
 SCALE RANGE: -39 (15000 PSI)
 SCALE RANGE: -41 (20000 PSI)
 SCALE RANGE: -45 (160 PSI)

- 15 = FRONT FLANGE/BOTTOM FITTING, STAINLESS STEEL CASE
 25 = FRONT FLANGE/BACK FITTING, STAINLESS STEEL
 35 = BACK FLANGE/BOTTOM FITTING, STAINLESS STEEL
 45 = BACK FLANGE/BACK FITTING, STAINLESS STEEL
 55 = NO FLANGE/BOTTOM FITTING, STAINLESS STEEL
 65 = NO FLANGE/BACK FITTING, STAINLESS STEEL
 FITTING SIZE: 9/16-18 UNF-3A, O-RING UNION TYPE



7. TOLERANCE: .XX = ±0.3.

[6] DIMENSIONS FOR FRONT FLANGE ONLY.

[5] DIMENSIONS FOR BACK FLANGE ONLY.

4. MATERIALS: CASE - STAINLESS STEEL
 GASKET - BUNA-N
 CRYSTAL - ACRYLIC
 SENSING ELEMENT - INCONEL X-750
 SCREWS - STAINLESS STEEL
 FITTING - STAINLESS STEEL
 CAPILLARY TUBE - STAINLESS STEEL
 DIAL - PLASTIC

3. OPERATING MEDIA: ANY MEDIA SUITABLE FOR CONTACT WITH STAINLESS STEEL/INCONEL.
 2. AMBIENT TEMPERATURE RANGE: -65°F TO +190°F. MEDIA TEMPERATURE -65°F TO +400°F.
 1. CALIBRATION ACCURACY: PRESSURE: ±5% OF SPAN @ MID-SCALE, ±1.0% OVERALL.

NOTES: UNLESS OTHERWISE SPECIFIED

QTY.	ITEM NO.	PART NO.	DESCRIPTION
QUANTITY PER VERSION		PARTS LIST	
UNLESS OTHERWISE SPECIFIED			
APPROVALS		15242 CHEMICAL LINE	
DRAWN	MARPLES	07-06-00	HUNTINGTON BEACH, CA 92649
CHECKED			TEL: 714-894-5311
ENGINEERING			FAX: 714-894-4309
G.C.	A.S.	07-06-00	
PRODUCTION	K.C.	07-06-00	
AUTOCAD FILE NAME:		25502-XXBX5	
TITLE:		OUTLINE AND MOUNTING	
SIZE:		2.5" SS 1/4NPT FITTING	
B 52159		SCALE: 75/1	SHEET 1 OF 1