

## Well Watcher™

### Hydrostatic Pressure Level Measurement System



#### Simple, Versatile, Resilient

The Well Watcher from AMETEK Drexelbrook provides you with the most versatile level measurement system on the market in one convenient package. A rugged stainless steel housing ensures excellent environmental protection for the sensor and a series of perforations in the bottom protects the sensing port from clogging or damage.

#### Easy-to-Read Display

The Well Watcher's meter displays data from the transmitter, provides excitation voltage, and transmits an analog signal for remote recording, alarm, or control functions. The display is large and easy to read. Designed for simple calibration the Well Watcher's dual programmable setpoints permit high-high, low-low, or high-low control with adjustable hysteresis. An optional isolated analog output allows the unit to interface with ancillary display, recording, or control devices.

#### Specifications

##### Ranges

**Feet of Water:** 0 to 14, 0 to 35, 0 to 69, 0 to 138, 0 to 230, 0 to 345, 0 to 460, 0 to 690

**Meters of Water:** 0 to 4, 0 to 10, 0 to 21, 0 to 42, 0 to 70, 0 to 105, 0 to 140, 0 to 210

##### Transmitter Temperature Ranges

Max. Operating:  $-40^{\circ}$  to  $82^{\circ}$  C ( $-40^{\circ}$  to  $180^{\circ}$  F)

Compensated:  $-29^{\circ}$  to  $82^{\circ}$  C ( $-20^{\circ}$  to  $180^{\circ}$  F)

Temp. Effects: Typical  $\pm 1\%$  output change for  $\pm 25^{\circ}$  C temp. change within compensated range when calibrated at  $25^{\circ}$  C.

Accuracy:  $\pm 0.25\%$  full scale (including linearity, hysteresis, repeatability) B.S.L.

##### Transmitter Power/Output:

24 VDC 2-wire, 4 to 20 mA DC.

##### Meter Housing Construction:

NEMA 4X fiberglass reinforced polyester with a transparent polycarbonate hinged cover.

##### Transmitter Construction:

- Diaphragm Type - 316L stainless steel
- Housing Type - 316 stainless steel
- Nut/Washer Type - 316 stainless steel
- Cable Grommet - Viton

##### Meter Display:

4 digit, 0.56 inch high (13 mm), LED display.

##### Meter Input Voltage:

90 to 264 VAC @ 47 to 70 Hz, 4 VA

##### Meter Ranges:

- 1999 to 9999

##### Meter Temperature Ranges:

Operating:  $-10^{\circ}$  to  $60^{\circ}$  C, Storage:  $-40^{\circ}$  to  $85^{\circ}$  C ( $-40^{\circ}$  to  $180^{\circ}$  F)

##### Meter Output:

0 to 20 mA, 4 to 20 mA, or 0 to 10 V, 1 to 5 V selectable. Adjustable over a user-defined part of the reading via keypad setup.

Specifications are subject to change without notice.



# Continuous Level Measurement

## Well Watcher™

### Specifications (continued)

#### Transmitter With Cable

Transmitter/Display Range		Attached Cable
WWA	0 to 14 ft. (0 to 4.2 m)	50 ft. (16.2 m)
WWB	0 to 35 ft. (0 to 10.5 m)	75 ft. (24.3 m)
WWC	0 to 69 ft. (0 to 21.1 m)	100 ft. (32.4 m)
WWD	0 to 138 ft. (0 to 42.2 m)	200 ft. (64.9 m)
WWE	0 to 230 ft. (0 to 70.3 m)	300 ft. (97.3 m)
WWF	0 to 345 ft. (0 to 105.4 m)	425 ft. (137.8 m)
WWG	0 to 460 ft. (0 to 140.5 m)	550 ft. (178.4 m)
WWH	0 to 690 ft. (0 to 211.0 m)	750 ft. (243.2 m)

#### Meter Output

A	Two relays
B	Two relays, analog output
C	Two relays, RS232 output

#### Lightning Protection on Signal/Output Lines

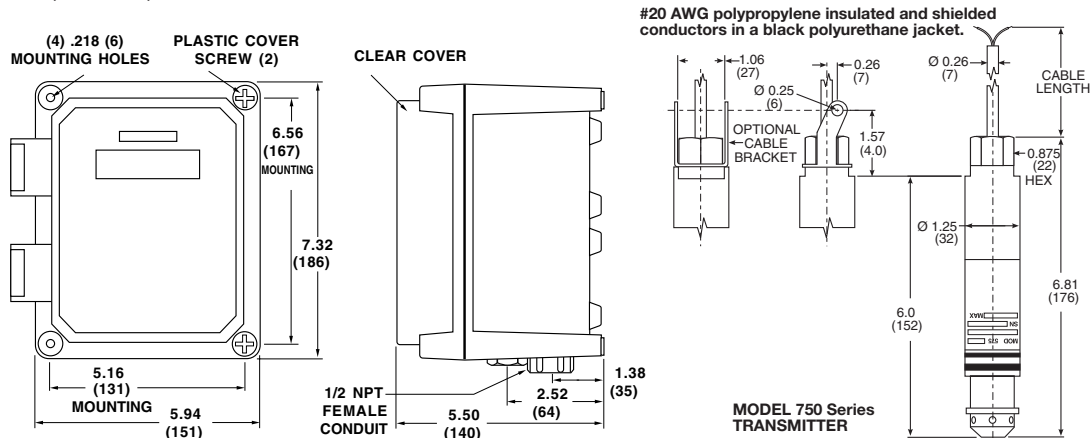
0	No lightning protection
1	Lightning and surge protector (1) for excitation/signal line only between meter and level transmitter.
2	Lightning and surge protector (1) for analog output line only between meter and receiving instrument.
3	Lightning and surge protectors (2) for excitation/signal and analog output lines.

#### Lightning Protection on AC Power Line

0	No lightning protection.
1	Lightning and surge protector for 115 VAC.
2	Lightning and surge protector for 230 VAC.

Specify model number and corresponding option codes. For example: To specify a WELL WATCHER system to measure 69 feet of water with a two relay, 4/20 mA output meter, NEMA 4x weathertight housing and lightning protection for both the signal and 4/20 mA output lines and the analog input calibrated for 0 to 50 feet of water: WWC B 2 3 0 (0-50 FW).

IN  
(MM)



U.S.A. Sales: 800-553-9092 • 24-Hour Service: 800-527-6297 • International Support: 215-674-1234 • Fax: 215-674-2731

**AMETEK®**  
**DREXELBROOK**

205 Keith Valley Road  
Horsham PA 19044 U.S.A.  
E-mail - [drexelbrook.info@ametek.com](mailto:drexelbrook.info@ametek.com)  
Web - [www.drexelbrook.com](http://www.drexelbrook.com)

AMETEK Nihon Drexelbrook  
2 Chome • 12-7 Minami Gyotoku  
Ichikawa City • Chiba 27201 Japan  
Phone: 81-473-56-6513  
Fax: 81-473-56-6535  
E-mail: [nd@nihon-drexelbrook.co.jp](mailto:nd@nihon-drexelbrook.co.jp)

AMETEK Singapore Pte. Ltd.  
10 Ang Mo Kio Street 65  
#05-12 Techpoint • 569059 Singapore  
Phone: 65-6484-2388  
Fax: 65-6481-6588  
E-mail: [aspl@ametek.com.sg](mailto:aspl@ametek.com.sg)

AMETEK Precision Instruments Europe  
Rudolf-Diesel-Strasse 16  
D-40670 Meerbusch Germany  
Phone: 49-2159-9136-0  
Fax: 49-2159-9136-39  
Web: [www.ametek.de](http://www.ametek.de)