

Well Watcher™

Lightning & Secondary Surge Protection



Powerful Protection

- Lightning and secondary surges
- Nanosecond bipolar response
- Protect both signal and power lines
- Available for AC or DC

Enhances System Integrity

- Reduces downtime of equipment
- Maintenance Free

Unobtrusive

- Small compact size
- Easy to install

Designed for Well Watcher System

- Model CDM Controller/Meter
- 750 Series Submersible Transmitters
- New or existing systems
- Suitable for any other system where protection is needed

Description

Lightening protection units are available to help protect your AMETEK Drexelbrook Level Measurement System from unexpected lightning and secondary surges. These low cost lightning protection units are easy to install, are maintenance-free and respond in less than one nanosecond. When placed at the meter and the transmitter, they defend against powerful surges on both the signal and power lines. If a surge should occur, the lightning protection unit will clamp the circuit, preventing excessive voltage from damaging the equipment. This saves you replacement and downtime costs. A full range of models are available to meet your exact protection requirements. Consult the factory for further details.

Ordering Information

Part Number LM912

Used in the transmitter excitation/signal lines to protect for distances of less than 100 feet at 30 Vdc.

Part Number LMA918

Used in the 115 Vac power input to protect the meter.

Part Number LM919

Used in the 230 Vac power input to protect the meter.

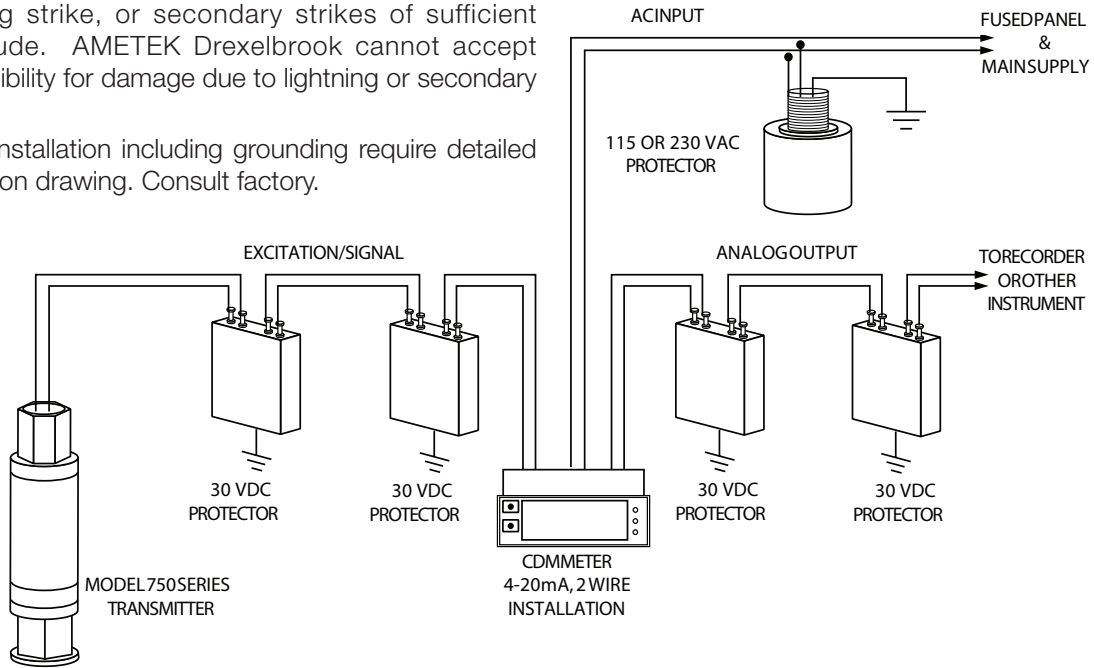


Continuous Level Measurement

Well Watcher™

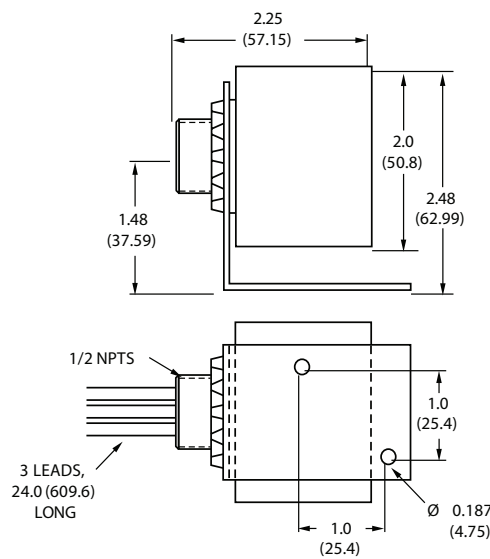
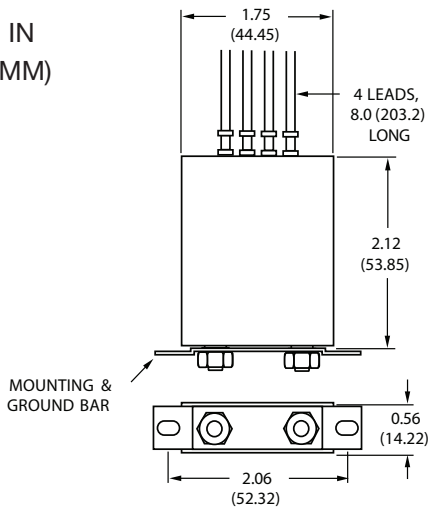
Installation Concept

1. Lightning protection devices should be placed as close to the instrument as possible.
2. If the distance between the meter and transmitter, or the meter and recorder is less than 100 ft., only one protector per line may be used.
3. This or any installation cannot protect against a direct lightning strike, or secondary strikes of sufficient magnitude. AMETEK Drexelbrook cannot accept responsibility for damage due to lightning or secondary surges.
4. Proper installation including grounding require detailed installation drawing. Consult factory.



Dimensions

IN
(MM)



U.S.A. Sales: 800-553-9092 • 24-Hour Service: 800-527-6297 • International Support: 215-674-1234 • Fax: 215-674-2731

AMETEK®
DREXELBROOK

205 Keith Valley Road
Horsham PA 19044 U.S.A.
E-mail - drexelbrook.info@ametek.com
Web - www.drexelbrook.com

AMETEK Nihon Drexelbrook
2 Chome • 12-7 Minami Gyotoku
Ichikawa City • Chiba 27201 Japan
Phone: 81-473-56-6513
Fax: 81-473-56-6535
E-mail: nd@nihon-drexelbrook.co.jp

AMETEK Singapore Pte. Ltd.
10 Ang Mo Kio Street 65
#05-12 Techpoint • 569059 Singapore
Phone: 65-6484-2388
Fax: 65-6481-6588
E-mail: aspl@ametek.com.sg

AMETEK Precision Instruments Europe
Rudolf-Diesel-Strasse 16
D-40670 Meerbusch Germany
Phone: 49-2159-9136-0
Fax: 49-2159-9136-39
Web: www.ametek.de