

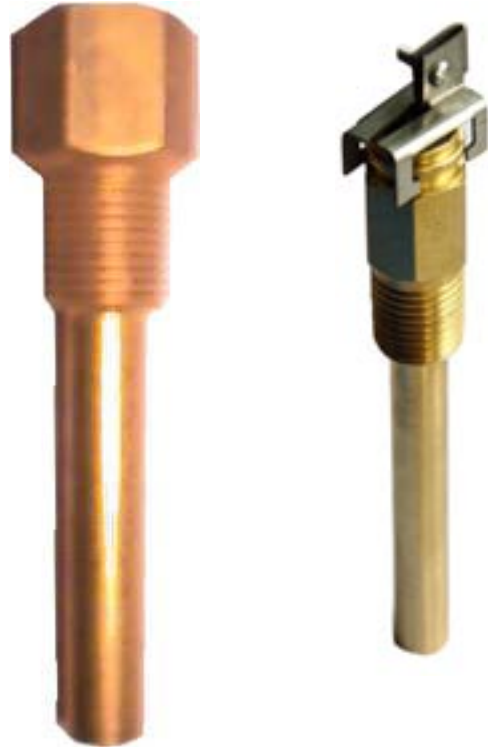
## T\ Yfa ck ells

### Features & Options

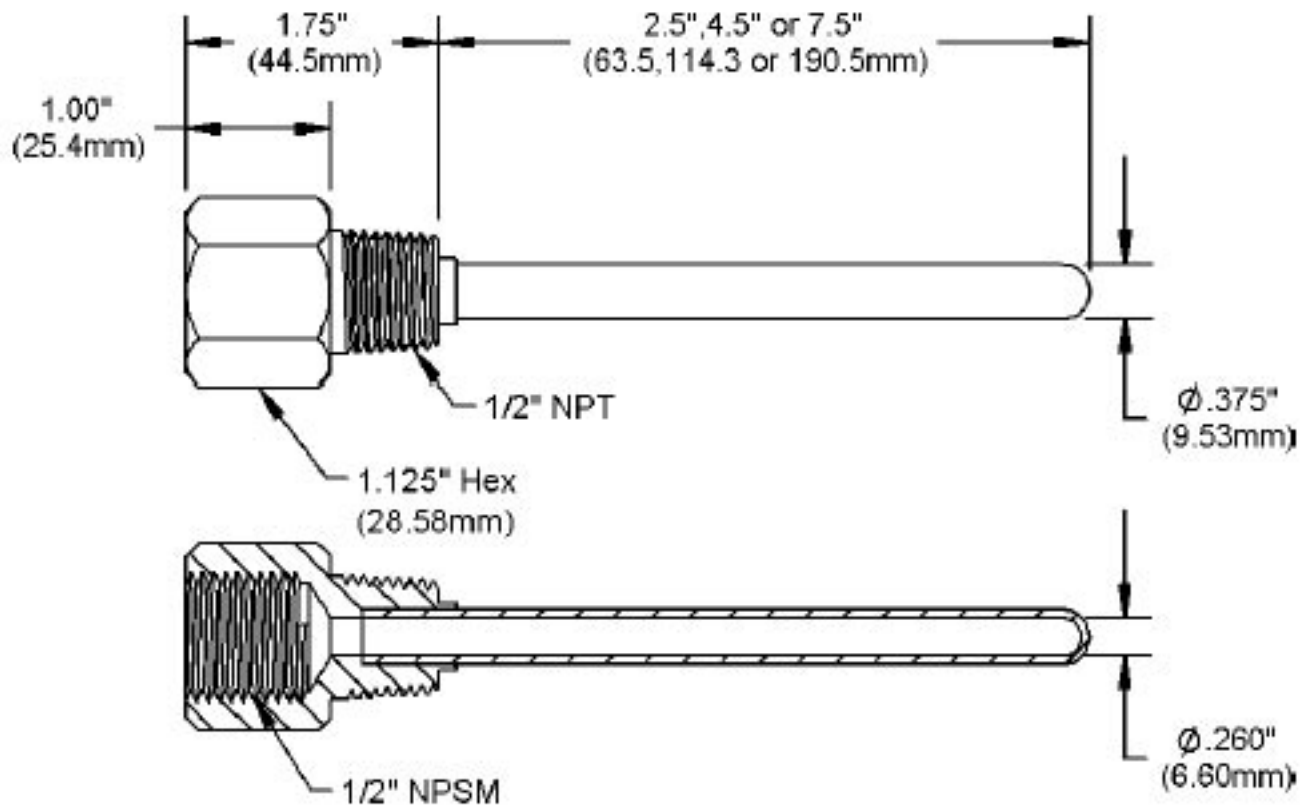
- Three Lengths: 2", 4" and 8" (Fit standard Immersion Unit lengths)
- Stainless Steel (304 or 316) or Brass
- Two Part (Welded) or Machined Construction
- Other Lengths or Materials Available Upon Request
- Limited Lifetime Warranty

2 Part (Welded) T\ Yfa owell  
Standard T\ Yfa owells available in 304 stainless steel (machined), 316 stainless steel (machined), brass (machined), and two part (welded) stainless steel. These wells are offered in 2", 4" and 8" lengths with 1/2" NPT external and 1/2" NPSM. Other lengths and thread diameters are available upon request.

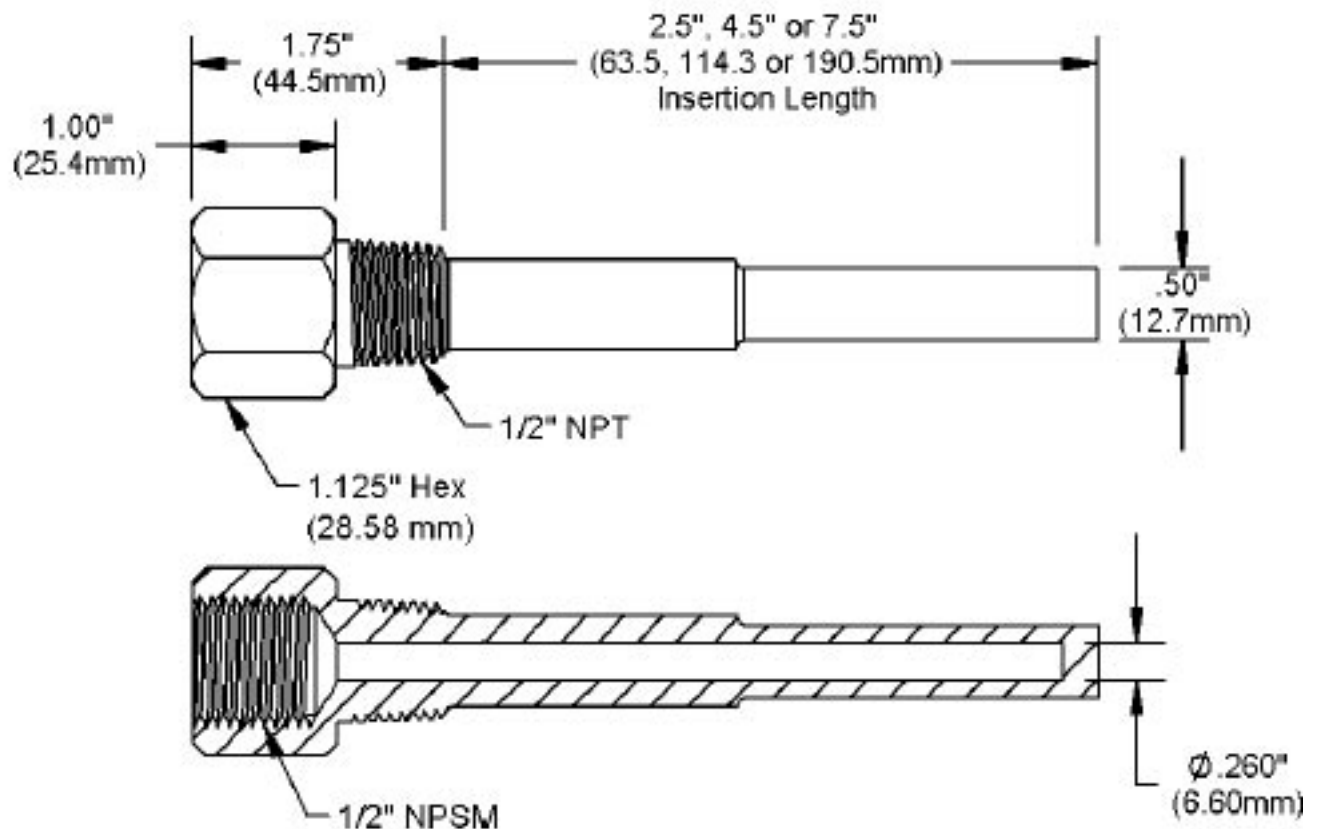
The Thermowell chosen for the installation is governed mainly by the corrosion conditions the well will face. The machined stainless steel wells all come with a mirror polish to provide maximum corrosion resistance. Occasionally, the material consideration is one of strength rather than corrosion. For example, a machined stainless steel well may be required for high pressure water service where otherwise a brass or two part stainless steel well would be satisfactory from a corrosion standpoint.



## Specifications



## Two Part (Welded) Thermowell



# ThermoWells

