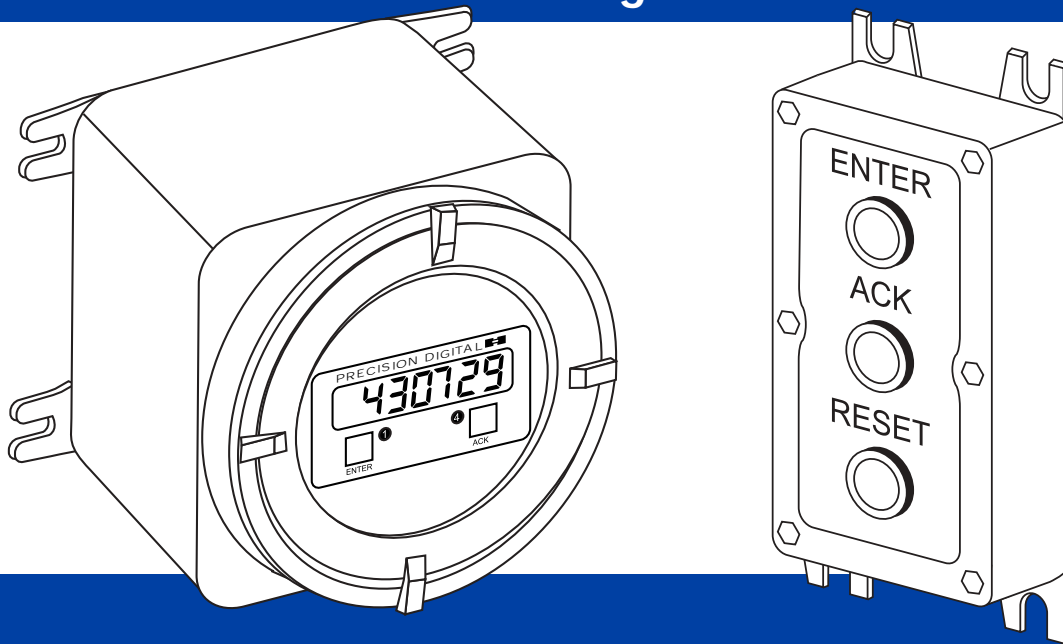


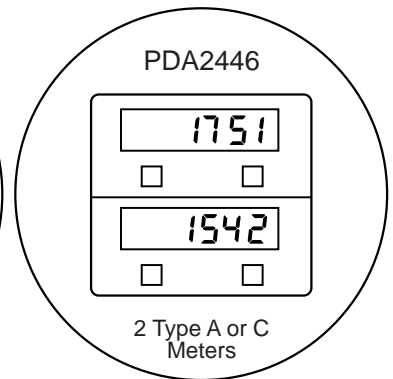
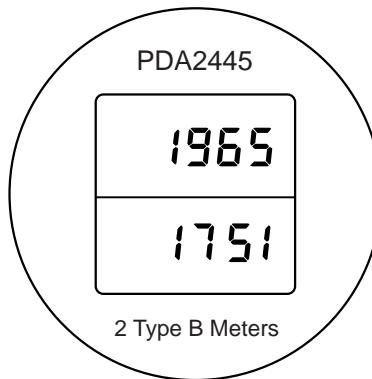
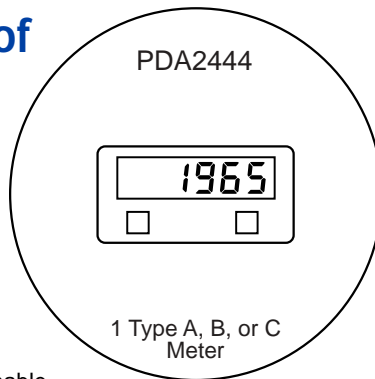
EXPLOSION-PROOF ENCLOSURES & CONTROL STATIONS for Precision Digital Meters



Explosion-Proof Enclosures

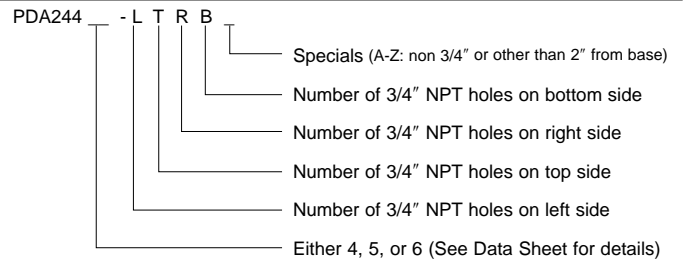
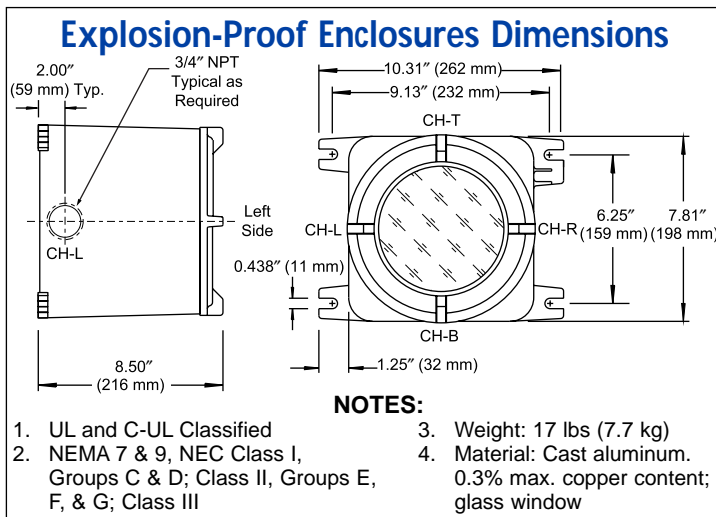
NOTES:

- Enclosures with one 3/4" NPT conduit hole are standard (CH1).
- Enclosures with two or more conduit holes are special order. User to specify location of holes (see table). Special order enclosures are non-returnable.
- Type A** meter bezel dimensions: 4.25" x 2.3" x 0.6" (108 mm x 59 mm x 15 mm), depth behind panel: 4.7" (119 mm) not including clearance for wiring. (e.g. PD690)
- Type B** meter bezel dimensions: 3.82" x 1.88" x 0.21" (97 mm x 48 mm x 5 mm), depth behind panel: 5.1" (130 mm) not including clearance for wiring. (e.g. PD682)
- Type C** meter bezel dimensions: 4.68" x 2.45" x 0.6" (119 mm x 62 mm x 15 mm), depth behind panel: 3.6" (91 mm) not including clearance for wiring. (e.g. PD765)



ORDERING INFORMATION

Model Number	Conduit Hole Location (CH)
PDA244(4,5, or 6)-1000	CH-L (Standard Product)
PDA244(4,5, or 6)-1010	CH-L & R
PDA244(4,5, or 6)-1110	CH-L, T, & R
PDA244(4,5, or 6)-1111	CH-L, T, R, & B
PDA244(4,5, or 6)-LTRB (A-Z)	Special (requires separate drawing and authorization form - please call)



Note: 2" Pipe Mounting Kits Available, see Mounting Kits data sheet for details.

DISCLAIMER: The information contained in this document is subject to change without notice. Precision Digital makes no representations or warranties with respect to the contents hereof, and specifically disclaims any implied warranties of merchantability or fitness for a particular purpose.

**PRECISION
DIGITAL**

EXPLOSION-PROOF ENCLOSURES & CONTROL STATIONS for Precision Digital Meters

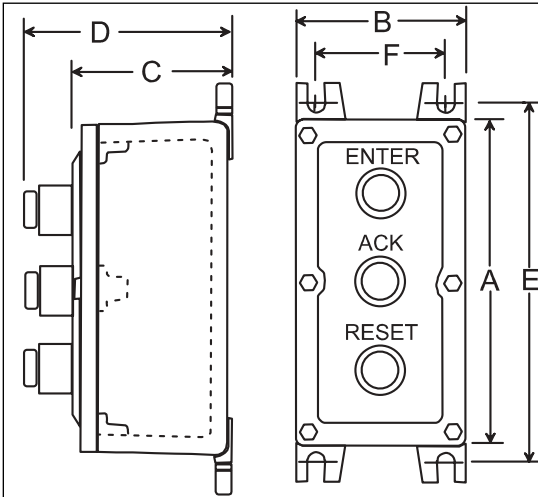
Explosion-Proof Control Stations

Precision Digital's Explosion-Proof Control Stations can be used with its Large Display Explosion-Proof Meters or with its digital panel meters that are mounted in explosion-proof enclosures. These separate Explosion-Proof Control Stations contain either 1, 2, or 3 switches that can be connected to terminals on Precision Digital meters to control various functions.

The ENTER button is used to program the meter.
The ACK button is used to acknowledge the relays.
The RESET button is used to reset the total.

ORDERING INFORMATION

Model	# of Switches	Label(s)
PDA2451-E	1	ENTER
PDA2451-R	1	RESET
PDA2451-A	1	ACK
PDA2452-ER	2	ENTER & RESET
PDA2452-EA	2	ENTER & ACK
PDA2453-EAR	3	ENTER, ACK, & RESET



Explosion-Proof Control Stations Dimensions

Number of Switches	Dimensions in Inches & mm						Wt lbs (Kg)	Std Cond Size
	A	B	C	D	E	F		
1	4.5 (114)	4.5 (114)	4.19 (106)	6.19 (157)	5.5 (140)	3.25 (83)	4.5 (2.0)	3/4"
2	7.0 (178)	4.5 (114)	4.19 (106)	6.19 (157)	8.0 (203)	3.25 (83)	6.0 (2.7)	3/4"
3	8.0 (203)	4.5 (114)	4.19 (106)	6.19 (157)	9.0 (229)	3.25 (83)	6.75 (3.1)	3/4"

Control Stations have conduit openings centered on top and bottom.

NOTES:

1. UL Listed and CSA Certified
2. NEMA 7 & 9
3. NEC Class I, Groups C & D; Class II, Groups E, F & G
4. Material: Cast aluminum, 0.3% max. copper content

CLASSIFIED ENCLOSURES

WARNING - TO PREVENT IGNITION OF CLASS I GROUPS C ATMOSPHERES, ALL SIZE CONDUIT RUNS MUST HAVE A SEALING FITTING CONNECTED WITHIN 3 INCHES OF ENCLOSURE.

ATTENTION - LeSCELLEMENTS DOIT ÊTRE INSTALLÉ À MOINS DE 3 POUÇES DU BOÎTIER.

YOUR LOCAL DISTRIBUTOR IS:



Please visit the Precision Digital website at www.predig.com for complete information on the entire line of Precision Digital products, technical information and much more.

LIM2444-53 Rev C 02/02