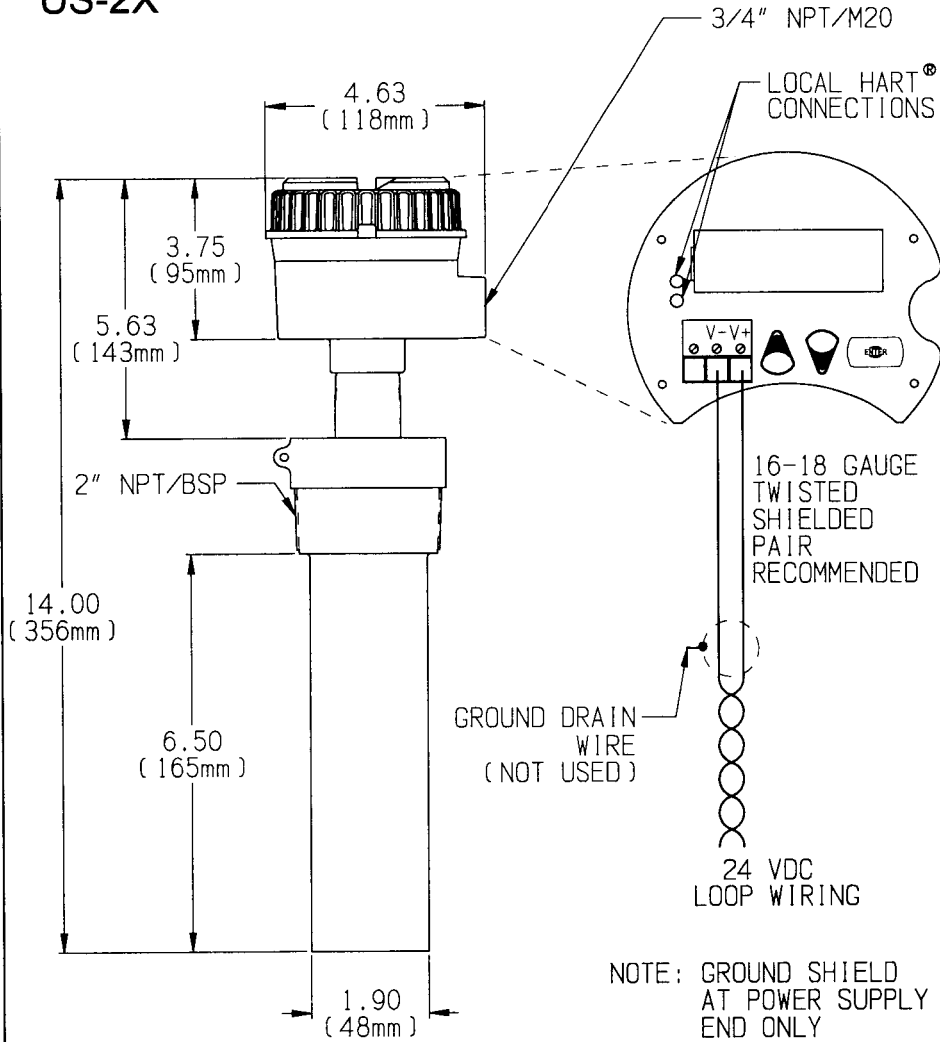
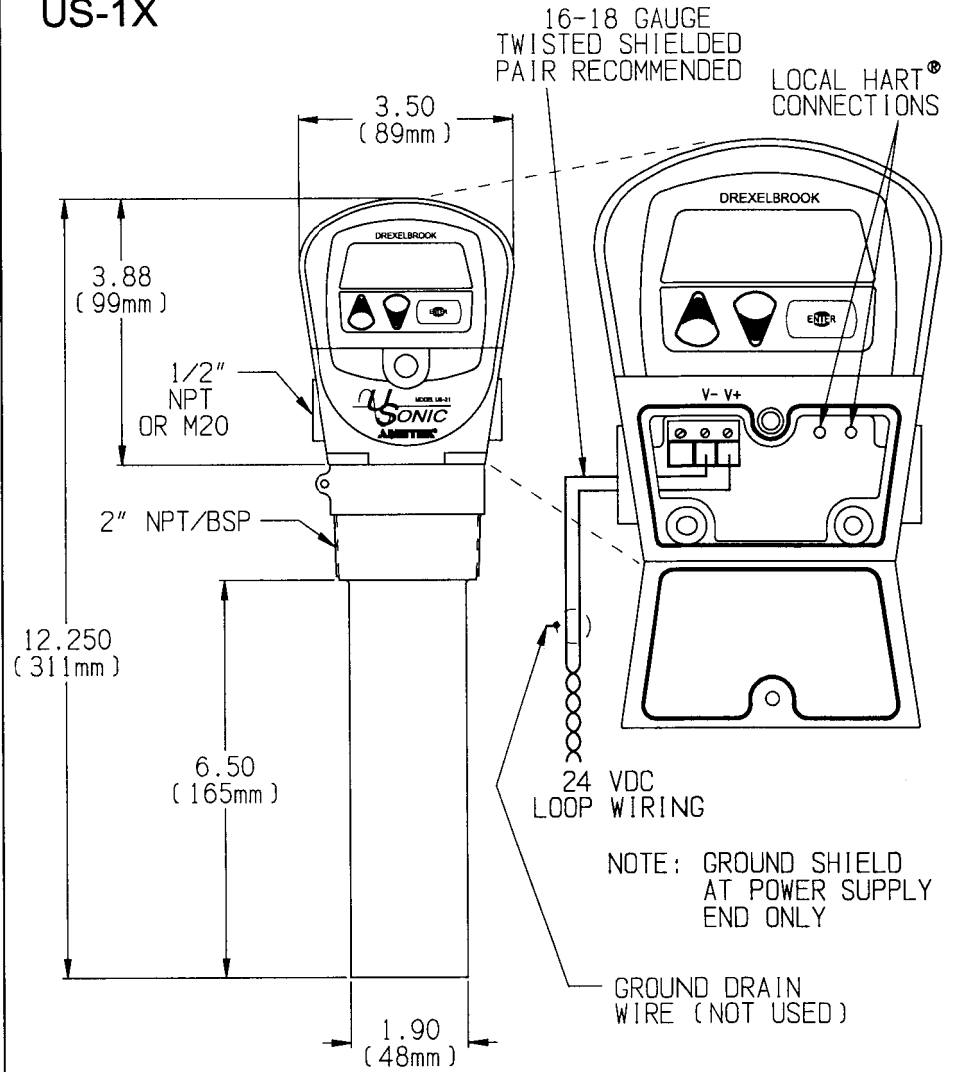


US-2X



US-1X



|            |          |             |            |          |
|------------|----------|-------------|------------|----------|
| CERTIFIED  | by _____ |             |            |          |
| PO # _____ |          |             |            |          |
| ENG _____  |          |             |            |          |
| USER _____ |          |             |            |          |
|            |          |             |            |          |
|            |          |             |            |          |
| DE # _____ | ISS.     | EDO/DSR NO. | APP'D      | DATE     |
|            | 1        | 11-04-433   | <i>AWM</i> | 12-22-04 |

COPYRIGHT 2004  
 AMETEK DREXELBROOK

SCALE NONE  
 UNLESS OTHERWISE STATED  
 ALL DIMENSIONS IN INCHES (MM)

DR. JJS 11-30-04  
 CK. *LOW*

**AMETEK®**  
**DREXELBROOK**

205 KEITH VALLEY RD  
 HORSHAM, PA 19044-9986

215-674-1234  
 FAX 215-674-2731

U-SONIC™ WITH  
 4-20 mA (ANALOG) OUTPUT  
 AND HART® PROTOCOL  
 COMMUNICATIONS

US-XX-CD

SHT. 1 OF 1  
 ISS. 1 OF 1

No. US-XX-CD

SHT. 1 OF 1