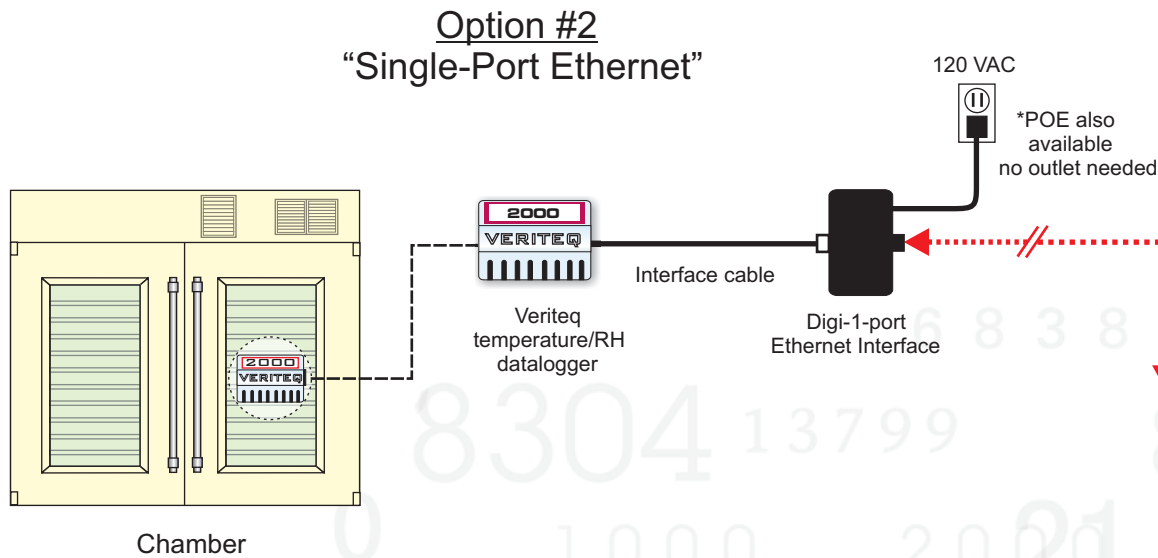
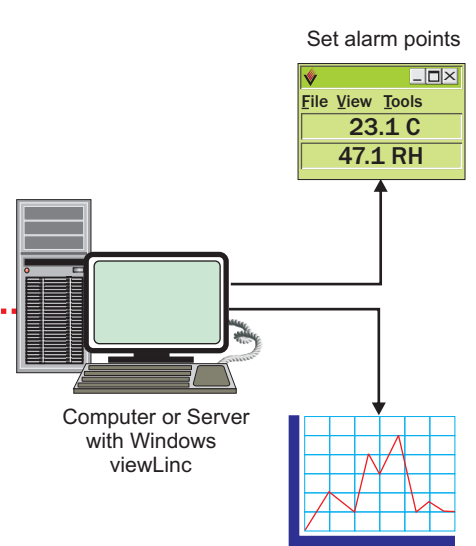
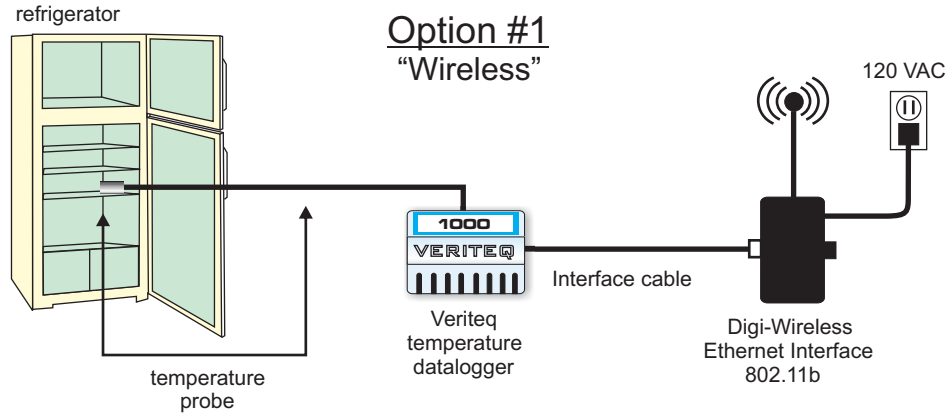
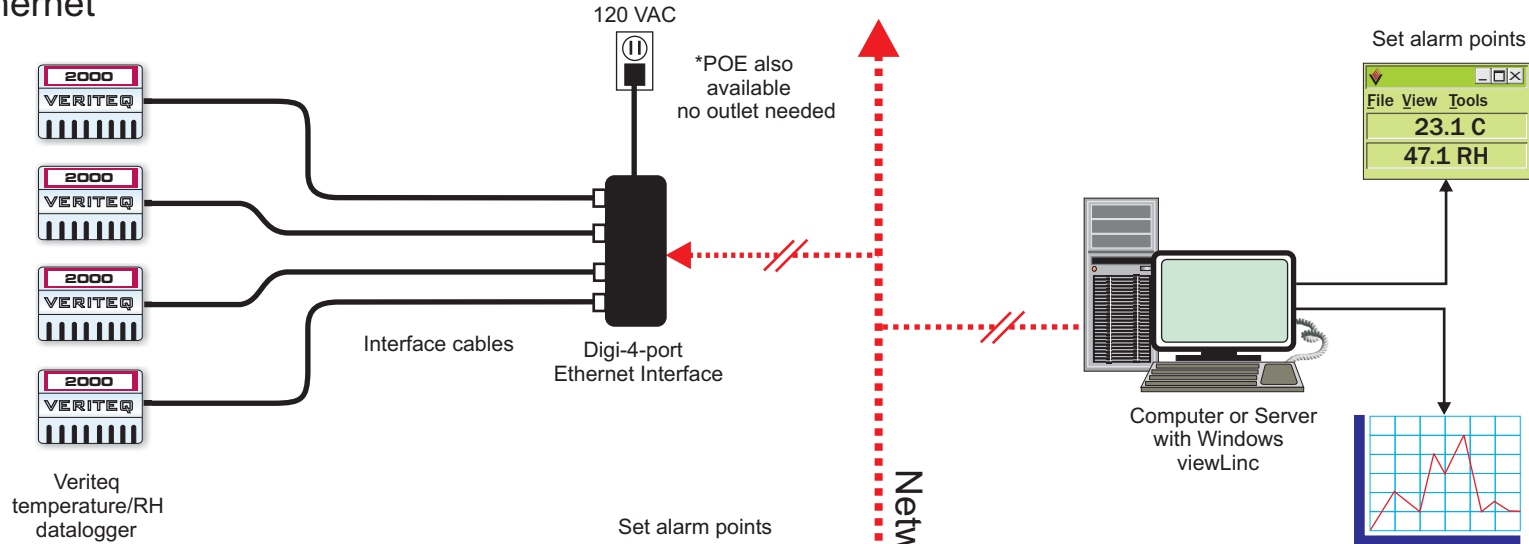


# viewLinc Connectivity Options



# viewLinc Connectivity Options

## Option #3 "Multi-port Ethernet"



## Option #4 "Direct to PC via USB"

