

# M800 Transmitter Series for pH, Oxygen, Ozone, Flow, CO<sub>2</sub>, Conductivity, TOC, Flow and Turbidity

Intelligent and intuitive

## Technical Data



### Short description

The M800 transmitter series features premium Intelligent Sensor Management (ISM) technology measuring pH/ORP, optical DO, amperometric and optical Oxygen (DO as well as O<sub>2</sub> gas), Dissolved Carbon Dioxide, Conductivity and in some models – Dissolved Ozone, Total Organic Carbon (TOC) and Flow. The multi-parameter transmitter accepts any compatible combination of sensors. In addition to this the mixed-mode capability of the M800 1-channel allows the connection of analog or digital ISM sensors. Up to 4 channels of process measurement provides immediate Plug & Measure installation and operation, predictive sensor maintenance and dynamic lifetime status. Thanks to iMonitor, the maintenance conditions of the measuring loop are observed and displayed comprehensively for preventative action. The color touchscreen ensures intuitive operation, with user selectable control and alarm management for complex applications.



### Features

- Multi-parameter measurement
- 1-channel/2-channel/4-channel versions (plus 2 flow inputs in some models)
- Premium ISM functionality
- Mixed-mode for M800 1-channel
- iMonitor for predictive maintenance
- Color touchscreen with an intuitive user interface
- User management and logbook
- Graphic trending
- 4-wire installation
- Eight 0/4 ... 20 mA current outputs, self powered, galvanically isolated
- Eight freely configurable relays
- IP 66 rated/UL Type 4X
- 10 languages: English, German, French, Italian, Spanish, Portuguese, Russian, Japanese, Korean and Chinese

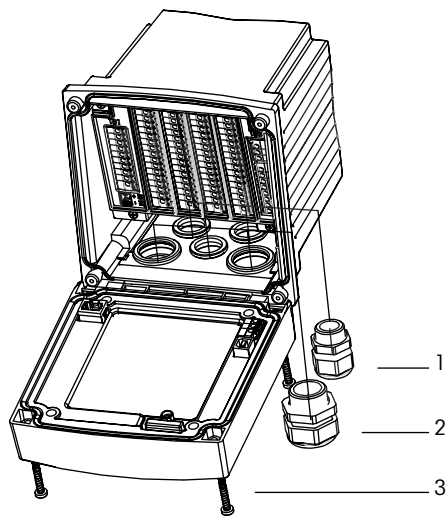


## Contents

Dimensions and installation drawings	2
Specifications	3
Connector pin definitions	9
Ordering information	13

METTLER TOLEDO

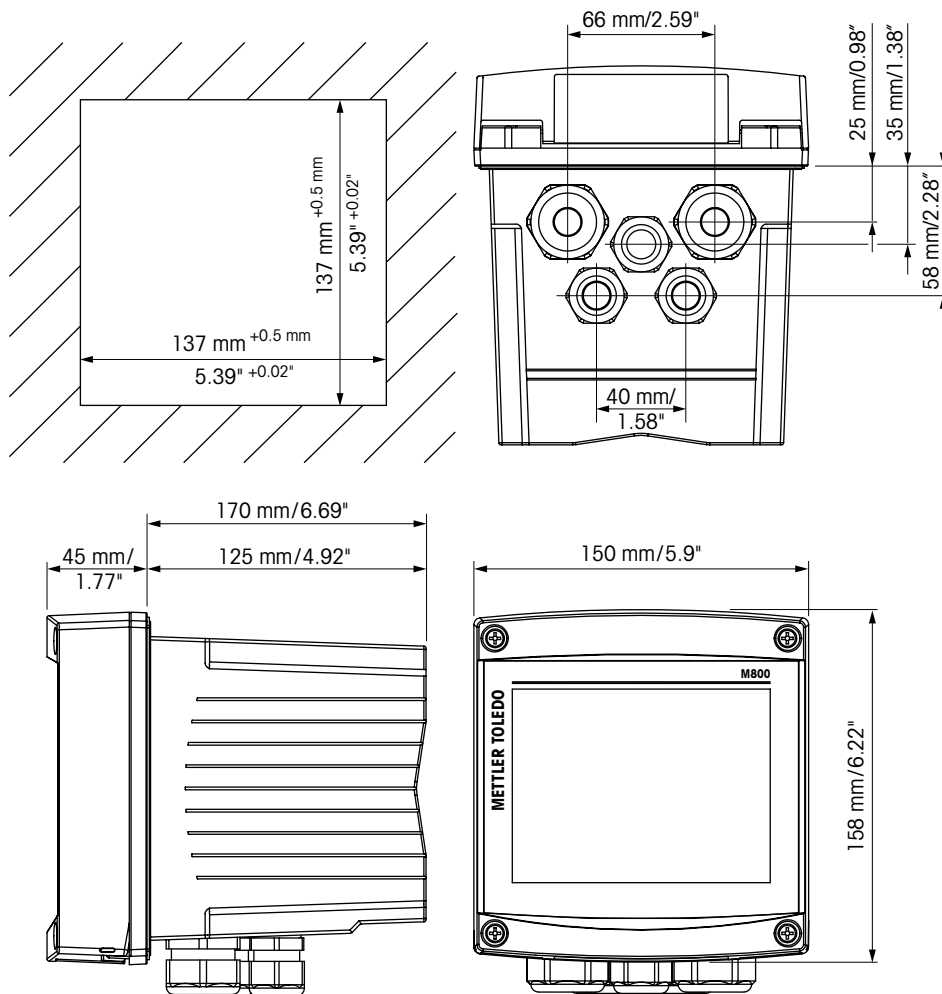
Assembly



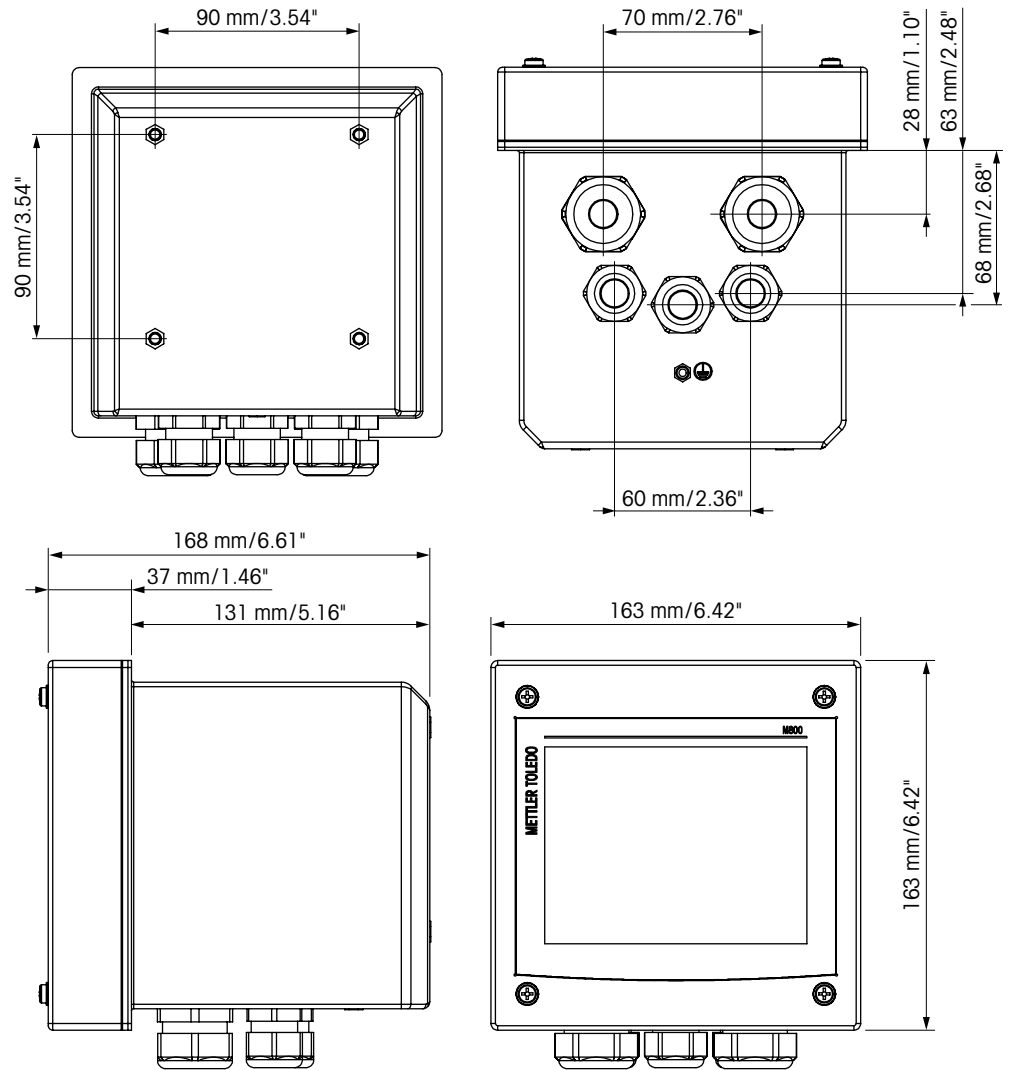
- 1 3 pieces M20 × 1.5 cable glands
- 2 2 pieces M25 × 1.5 cable glands
- 3 4 pieces screws

Dimension drawings

Polycarbonate (PC) housing



Stainless steel housing



**pH/ORP (incl. pH/pNa)**

Measurement parameters	pH, mV, and temperature
pH range	-2.00 to 16.00 pH
Max. sensor cable length	- ISM: 80 m (260 ft) - Analog: 10 to 20 m (33 to 65 ft) depending on sensor
pH resolution	Auto/0.001/0.01/0.1/1 (can be selected)
pH accuracy	- ISM: ±1 digit
mV range	-1500 to 1500 mV
mV resolution	Auto/0.001/0.01/0.1/1 mV (can be selected)
mV accuracy	- Analog: ±1 mV - ISM: ±1 digit
Temperature measuring range	-30 to 130 °C (-22 to 266 °F)
Temperature resolution	Auto/0.001/0.01/0.1/1 °C (°F) (can be selected)
Temperature accuracy	- Analog: ±0.25 K - ISM: ±1 digit
Temperature compensation	Automatic/manual, plus adjustable solution temperature compensation
Calibration	1-point (offset), 2-point (slope or offset) or process (offset)

**Amperometric oxygen**

Measurement parameters	- Dissolved oxygen: Saturation or concentration and temperature - Oxygen in gas: Concentration and temperature
Current range	0 to -7000 nA
Resolution current	- ISM: ±1 digit - Analog: 6 pA
Max. sensor cable length	- ISM 80 m (260 ft) - Analog: 20 m (65 ft)
DO concentration range	0 ppb (µg/L) to 50.00 ppm (mg/L)
DO saturation range	0 to 500% air, 0 to 200% O <sub>2</sub>
DO accuracy	±1 digit
O <sub>2</sub> gas concentration range	0 to 9999 ppm O <sub>2</sub> gas
O <sub>2</sub> gas saturation range	0 to 100% O <sub>2</sub> gas
O <sub>2</sub> gas accuracy	±1 digit
Resolution	Auto/0.001/0.01/0.1/1 (can be selected)
Temperature measuring range	-30 to 150 °C (-22 to 302 °F)
Temperature resolution	Auto/0.001/0.01/0.1/1 °C (°F) (can be selected)
Temperature accuracy	±0.25 K in the range of -10 to +80 °C (14 to +176 °F)
Polarization voltage	-1000 to 0 mV
Temperature input	NTC 22 kΩ/Pt1000
Temperature compensation	Automatic
Calibration	1-point (slope or offset) or process (slope or offset)

**Optical oxygen**

Measurement parameters	DO saturation or concentration and temperature
Max. sensor cable length	50 m (164 ft)
DO concentration range	0 ppb (µg/L) to 50.00 ppm (mg/L)
DO saturation range	0 to 500% air, 0 to 100% O <sub>2</sub>
DO resolution	Auto/0.001/0.01/0.1/1 (can be selected)
DO accuracy	±1 digit
Temperature measuring range	-30 to +150 °C (-22 to 302 °F)
Temperature resolution	Auto/0.001/0.01/0.1/1 °C (°F) (can be selected)
Temperature accuracy	±1 digit
Temperature compensation	Automatic
Calibration	1-point (depending on sensor model), 2-point or process, process scaling

**Dissolved carbon dioxide**

CO <sub>2</sub> measuring ranges	- 0 to 5000 mg/L - 0 to 200%sat - 0 to 1500 mm Hg - 0 to 2000 mbar - 0 to 2000 hPa
Max. sensor cable length	80 m (260 ft)
CO <sub>2</sub> accuracy	±1 digit
CO <sub>2</sub> resolution	Auto/0.001/0.01/0.1/1 (can be selected)
mV range	-1500 to 1500 mV
mV resolution	Auto/0.01/0.1/1 mV
mV accuracy	±1 digit
Total pressure range (TotPres)	0 to 4000 mbar
Temperature measuring range	-30 to 150 °C (-22 to 302 °F)
Temperature resolution	Auto/0.001/0.01/0.1/1 K (°F), (can be selected)
Temperature accuracy	±1 digit
Temperature repeatability	±1 digit
Calibration	1-point (offset), 2-point (slope or offset) or process (offset)

**Dissolved carbon dioxide high**

CO <sub>2</sub> measuring ranges	- 0 to 10 bar p (CO <sub>2</sub> )/0 to 145 psi p (CO <sub>2</sub> ) - 0 to 15 g/L - 0 to 7 V/V CO <sub>2</sub>
Accuracy in fluids <sup>1)</sup>	- ± 1 % of reading (within ± 5 % of calibration temperature) - ± 2 % of reading over temperature range 0 to 50 °C (32 to 122 °F)

1) Complete loop of sensor and transmitter

**Dissolved ozone**

Measurement parameters	Concentration and temperature
Display range for current	0 to -900 nA
Ozone measuring range	Concentration 0.1 ppb (µg/L) to 5.00 ppm (mg/L) O <sub>3</sub>
Ozone accuracy	±1 digit
Resolution current	±1 digit
Temperature compensation	Automatic
Temperature measuring range	- 30 to 150 °C (- 22 to 302 °F)
Temperature resolution	Auto/0.001/0.01/0.1/1 °C (°F) (can be selected)
Temperature accuracy	±1 digit
Max. sensor cable length	80 m
Calibration	1-point (offset) or process (slope or offset)

**Conductivity 2-e/4-e**

Measurement parameters	Conductivity/resistivity and temperature
Conductivity ranges	2-electrode sensor: 0.02 to 2,000 µS/cm (500 Ω × cm to 50 MΩ × cm) 4-electrode sensor: 0.01 to 650 mS/cm (1.54 Ω × cm to 0.1 MΩ × cm)
Cell constants	0.01/0.1/10
Display range for 2-e sensor	0 to 40,000 mS/cm (25 Ω × cm to 100 MΩ × cm)
Display range for 4-e sensor	0.01 to 650 mS/cm (1.54 Ω × cm to 0.1 MΩ × cm)
Chemical concentration curves	NaCl: 0-26% @ 0°C to 0-28% @ +100°C NaOH: 0-12% @ 0°C to 0-16% @ +40°C to 0-6% @ +100°C HCl: 0-18% @ -20°C to 0-18% @ 0°C to 0-5% @ +50°C HNO <sub>3</sub> : 0-30% @ -20°C to 0-30% @ 0°C to 0-8% @ +50°C H <sub>2</sub> SO <sub>4</sub> : 0-26% @ -12°C to 0-26% @ +5°C to 0-9% @ +100°C H <sub>3</sub> PO <sub>4</sub> : 0-35% @ +5°C to +80°C User-defined concentration table (5 × 5 matrix)
TDS ranges	NaCl, CaCO <sub>3</sub>
Max. sensor cable length	- ISM: 80 m (260 ft) - Analog: 61 m (200 ft); with 4-e sensors: 15 m (50 ft)
Cond/Res accuracy	- ISM: ±1 digit - Analog: ±0.5% of reading or 0.25 Ω, whichever is greater, up to 10 MΩ-cm
Cond/Res repeatability	- ISM: ±1 digit - Analog: ±0.25% of reading or 0.25 Ω, whichever is greater
Cond/Res resolution	Auto/0.001/0.01/0.1/1 (can be selected)
Temperature input	Pt1000/Pt100/NTC22K
Temperature measuring range	-40 to 200 °C (-40 to 392 °F)
Temperature resolution	Auto/0.001/0.01/0.1/1 °C (°F) (can be selected)
Temperature accuracy	- ISM: ±1 digit - Analog: ±0.25 K (±0.45 °F) within -30 to +150 °C ±0.50 K (±0.90 °F) outside
Temperature compensation	Auto/selectable as: Std. (standard high purity water Thornton/Light), Light 84, Std. pure water referenced to 75 °C, linear %/°C (adjustable), 50% glycol, 100% glycol, cation, ammonia, isopropyl alcohol, none
Calibration	1-point, 2-point or process
RO % rejection or % recovery	0 to 100% (computed from two conductivity measurements)

**TOC**

Measurement parameters	TOC, conductivity, and temperature
Measurement range	0.05 to 2,000 ppbC (µgC/L)
Total flow range	0 to 9,999,999 Gallons; 37,850,00 Liters; 37,850 m <sup>3</sup>
Accuracy	<ul style="list-style-type: none"> <li>– ±0.1 ppbC for TOC &lt;2.0 ppb (for water quality &gt;15 mΩ × cm [.067 µS/cm])</li> <li>– ±0.2 ppbC for TOC &gt; 2.0 ppb and &lt;10.0 ppb (for water quality &gt; 15 mΩ × cm)</li> <li>– ±5 % of measurement for TOC &gt; 10.0 ppb (for water quality 0.5 to 18.2 mΩ × cm)</li> </ul>
Repeatability	±0.05 ppbC <5 ppb, ±1.0% >5 ppb
Resolution	0.001 ppbC (µgC/L)
Analysis time	Continuous
Resolution	4 significant digits, auto-ranged, up to 4 digits for total flow
Initial response time	< 60 seconds
Update rate	1 second
Limit of detection	0.025 ppbC
Conductivity accuracy	±2 %, 0.02 to 20 µS/cm, ±3 %, 20 to 100 µS/cm; 0.1 constant sensor
Cell constant accuracy	±2 %
Temperature sensor	Pt1000 RTD, Class A
Temperature accuracy	±0.25 °C
Max length ISM cable	91 m (300 ft)

**Flow**

Measurement parameters	Flow, velocity, frequency
Flow rate range	0 to 9999 GPM, m <sup>3</sup> /hr, L/min, ft/s, mts/s
Total flow range	0 to 9,999,999 Gallons; 37,850,00 Liters; 37,850 m <sup>3</sup>
RO % recovery	0 to 100 %
Frequency range	0 to 4,000 Hz
Update rate	1 second
Resolution	4 significant digits, auto-ranged, up to 4 digits for total flow

**Turbidity**

Light source	Light-emitting diode (LED), emitting frequency 880 nm
Measurement range	<ul style="list-style-type: none"> <li>– 5 to 4000 FTU (Formazin Turbidity Units) and 0 to 30 g/L suspended solids with InPro 8200</li> <li>– 10 to 4000 FTU and 0 to 250 g/L suspended solids with InPro 8050 and InPro 8100</li> </ul>
Selectable measuring units	FTU, NTU, EBC, g/L, mg/L, %, ppm, DO
Parameter Sets	Three different parameter sets (A, B, C) can be stored in memory and recalled by software menu or remote access via digital inputs
Sensor diagnostics	Light Source (internal reference signal = 0)
Calibration	<ul style="list-style-type: none"> <li>– Manual calibration "Edit": Offset and gain values for the sensor can be entered directly</li> <li>– Process calibration: Single-point grab-sample calibration (offset or slope: user-selectable)</li> <li>– Multi-point calibration (decreasing): 2-, 3-, 4- or 5-point automatic calibration (offset and gain will be adjusted automatically)</li> <li>– In-Situ calibration (increasing): 2-, 3-, 4- or 5-point automatic calibration</li> </ul>

**Electrical specifications**

Power requirements	100 to 240 V AC or 20 to 30 V DC, 10 W, AWG 16–24, 0.2 mm <sup>2</sup> to 1.5 mm <sup>2</sup>
PE connection (stainless steel versions)	AWG 18, 0.8 mm <sup>2</sup>
Frequency	50/60 Hz
Analog output signals	8 × 0/4 to 20 mA outputs, 22 mA alarm, galvanically isolated from input and from earth/ground
Measurement error through analog outputs	< ±0.05 mA over 0 to 22 mA range
Analog output configuration	Linear, Bi-linear, Logarithmic, Autoranging
Load	max. 500 Ω
Connection terminals	Spring cage terminals appropriate for AWG 16–24, 0.2 mm <sup>2</sup> to 1.5 mm <sup>2</sup> wires
Digital communication	USB port, Type B connector
PID process controller	2 × PID with pulse length, pulse frequency or analog control output signal
Cycle time	Ca. 1 s
Digital input	– 1-channel version: 4 – 2-channel version: 5 – 4-channel version: 6 with switching limits, 0.00 VDC to 1.00 VDC for low level, 2.30 VDC to 30.00 VDC for high level
Analog inputs	One 4 to 20 mA input, galvanically isolated from other signals
Measurement error through analog input	< ±0.05 mA over 0 to 22 mA range
Main fuse	2.0 A slow Blow type FC, not replaceable
Relays	– 4-SPST mechanical rated at 250 VAC, 3 A (Relay 1 NC, Relay 2 to 4 NO) – 4-SPST Type Reed 250 VAC or DC, 0.5 A (Relay 5 to 8)
Alarm relay delay	0 to 999 s, selectable
User interface	– TFT color touchscreen 5.7" – Resolution 320 × 240 px – 256 colors
Input signal	Pulses: low < 1.0 V; high > 1.4 V (max. 36 V)
Accuracy	± 1 digit, ±0.5 Hz
Repeatability	±0.2 Hz
Hold input	Selectable

**Profibus DP**

ASIC	netX 52
DP function	DPV1 Slave
DPV1 services	Class 1: Read, Write, I&M, Freeze, SYNC Class 2: Read, Write, I&M Set_Slave_Add
Baud rates	9.6k, 19.2k, 45.45k, 93.75k, 187.5, 500k, 1.5M Automatic baud rate detection
Physical layer	RS485

For wiring and setup, refer to the M800 DP Communication Setup Guide, part number: 30 246 547



## Environmental specifications

**Polycarbonate (PC) housing**

Dimensions (housing – H × W × D) <sup>1)</sup>	150 × 158 × 170 mm (5.36" × 6.22" × 6.69")
Front bezel – H × W	150 × 158 mm (5.36" × 6.22")
Max. D – panel mounted	125 mm (4.92")
Weight	1.6 kg (3.5 lb)
Material	Polycarbonate/PC
Enclosure rating	IP 66, UL Type 4X

1) H = Height, W = Width, D = Depth

**Stainless steel housing**

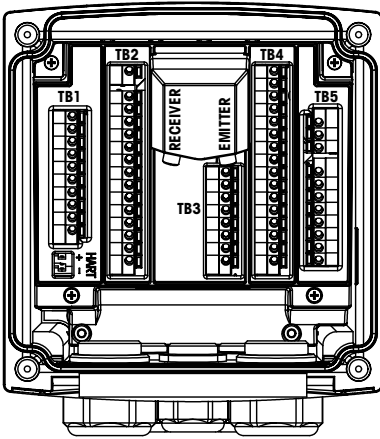
Dimensions (housing – H × W × D) <sup>1)</sup>	163 × 163 × 168 mm (6.42" × 6.42" × 6.61")
Front bezel – H × W	163 × 163 mm (6.42" × 6.42")
Weight	2.8 kg (6.2 lb)
Material	Stainless steel 304
Enclosure rating	IP 66, UL Type 4X

1) H = Height, W = Width, D = Depth

## Mechanical specifications

Storage temperature	–40 to 70 °C (–40 to 158 °F)
Ambient temperature operating range	–20 to 50 °C (–4 to 122 °F)
Relative humidity	0 to 95% non-condensing
Emissions	According to EN 61326 Class A
Hazardous areas	– M800 2-channel and 4-channel, PC housing only: cFMus Class I Division 2 – Optical sensors InPro 8100 and InPro 8200 only (for M800 1-channel, PC housing): ATEX II (1)G [Ex opis Ga] IIA/IIB
CE mark	The measuring system is in conformity with the statutory requirements of the EC Directives. METTLER TOLEDO confirms successful testing of the device by affixing to it the CE mark. For CE Declaration of Conformity see supplied CD.
Ratings/Approvals	UL Listed
Altitude, maximum	5,000 m

M800 1-channel



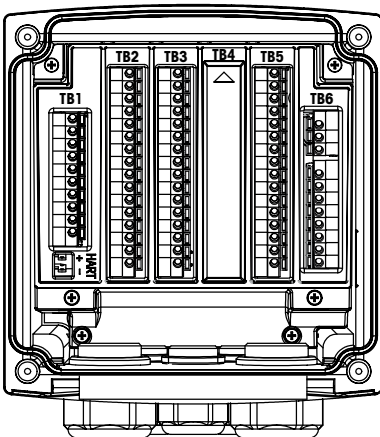
Terminal number	TB1	TB2	TB3	TB4	TB5
1	DI1+		1-Wire	AI1+	L (+)
2	DI1-		GND5V	AI1-	N (-)
3	Aout1+		RS485B	DI4+	Ground
4	Aout1-		RS485A	DI4-	Relay1_NC
5	Aout2+		GND5V	DI5+	Relay1_COM
6	Aout2-		5V	DI5-	Relay2_NO
7	Aout3+		24V	DI6+	Relay2_COM
8	Aout3-		GND24V	DI6-	Relay3_NO
9	Aout4+		n. a.	Relay5_NO	Relay3_COM
10	Aout4-		n. a.	Relay5_COM	Relay4_NO
11	n. a.		n. a.	Relay6_NO	Relay4_COM
12	n. a.		n. a.	Relay6_COM	n. a.
13	n. a.		n. a.	Relay7_NO	n. a.
14	n. a.		n. a.	Relay7_COM	n. a.
15	n. a.		n. a.	Relay8_NC	n. a.
16	n. a.		n. a.	Relay8_COM	n. a.

For analog sensors sensor-specific.  
For ISM sensors not used.

InPro 8000 Series Turbidity Sensor

Use the two connections labeled EMITTER and RECEIVER on the rear panel for connecting METTLER TOLEDO InPro 8000 sensors only.

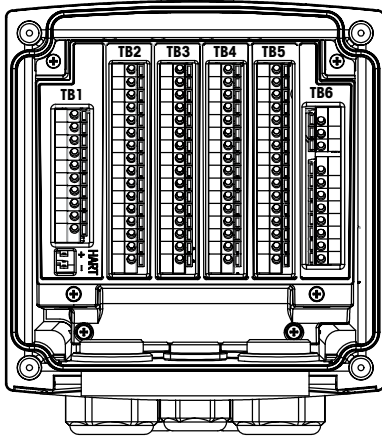
M800 2-channel



Terminal number	TB1	TB2	TB3	TB4	TB5	TB6
1	DI1+	DI2+	Aout5+		AI1+	L (+)
2	DI1-	DI2-	Aout5-		AI1-	N (-)
3	Aout1+	1-Wire_Ch1	Aout6+		DI4+	Ground
4	Aout1-	GND5V_Ch1	Aout6-		DI4-	Relay1_NC
5	Aout2+	RS485B_Ch1	Aout7+		DI5+	Relay1_COM
6	Aout2-	RS485A_Ch1	Aout7-		DI5-	Relay2_NO
7	Aout3+	GND5V_Ch1	Aout8+		DI6+	Relay2_COM
8	Aout3-	5V_Ch1	Aout8-		DI6-	Relay3_NO
9	Aout4+	24V_Ch2	Ain_Ch5		Relay5_NO	Relay3_COM
10	Aout4-	GND24V_Ch2	AJ_Ch5		Relay5_COM	Relay4_NO
11	n. a.	1-Wire_Ch2	5V_Ch5		Relay6_NO	Relay4_COM
12	n. a.	GND5V_Ch2	GND5V_Ch5		Relay6_COM	n. a.
13	n. a.	RS485B_Ch2	Bin_Ch6		Relay7_NO	n. a.
14	n. a.	RS485A_Ch2	BJ_Ch6		Relay7_COM	n. a.
15	n. a.	GND5V_Ch2	5V_Ch6		Relay8_NC	n. a.
16	n. a.	5V_Ch2	GND5V_Ch6		Relay8_COM	n. a.

Not installed

M800 4-channel



Terminal number	TB1	TB2	TB3	TB4	TB5	TB6
1	DI1+	DI2+	Aout5+	DI3+	AI1+	L (+)
2	DI1-	DI2-	Aout5-	DI3-	AI1-	N (-)
3	Aout1+	1-Wire_Ch1	Aout6+	1-Wire_Ch3	DI4+	Ground
4	Aout1-	GND5V_Ch1	Aout6-	GND5V_Ch3	DI4-	Relay1_NC
5	Aout2+	RS485B_Ch1	Aout7+	RS485B_Ch3	DI5+	Relay1_COM
6	Aout2-	RS485A_Ch1	Aout7-	RS485A_Ch3	DI5-	Relay2_NO
7	Aout3+	GND5V_Ch1	Aout8+	GND5V_Ch3	DI6+	Relay2_COM
8	Aout3-	5V_Ch1	Aout8-	5V_Ch3	DI6-	Relay3_NO
9	Aout4+	24V_Ch2	Ain_Ch5	24V_Ch4	Relay5_NO	Relay3_COM
10	Aout4-	GND24V_Ch2	AJ_Ch5	GND24V_Ch4	Relay5_COM	Relay4_NO
11	n. a.	1-Wire_Ch2	5V_Ch5	1-Wire_Ch4	Relay6_NO	Relay4_COM
12	n. a.	GND5V_Ch2	GND5V_Ch5	GND5V_Ch4	Relay6_COM	n. a.
13	n. a.	RS485B_Ch2	Bin_Ch6	RS485B_Ch4	Relay7_NO	n. a.
14	n. a.	RS485A_Ch2	BJ_Ch6	RS485A_Ch4	Relay7_COM	n. a.
15	n. a.	GND5V_Ch2	5V_Ch6	GND5V_Ch4	Relay8_NC	n. a.
16	n. a.	5V_Ch2	GND5V_Ch6	5V_Ch4	Relay8_COM	n. a.

M800 1-channel: TB2 – Terminal Assignment for Conductivity 4-e or 2-e or pH/ORP – Analog Sensors

Terminal TB2	Cond. 4-e or 2-e		pH		Redox (ORP)	
	Function	Color	Function	Color <sup>3)</sup>	Function	Color
1	Cnd inner1 <sup>1)</sup>	white	Glass	transparent	Platinum	transparent
2	Not used	–	Not used	–	–	–
3	Cnd outer1 <sup>1)</sup>	white/blue	Not used	–	–	–
4	Cnd outer1	–	Not used	–	–	–
5	Not used	–	Not used	–	–	–
6	Cnd outer2	–	Reference	red	Reference	red
7	Cnd inner2 <sup>2)</sup>	blue	Reference <sup>4)</sup>	–	Reference <sup>4)</sup>	–
8	Cnd outer2 (GND) <sup>2)</sup>	black	Solution GND <sup>4)</sup>	blue <sup>5)</sup>	Solution GND <sup>4)</sup>	–
9	Not used	–	Not used	–	–	–
10	Not used	–	Shield (GND)	green/yellow	Shield (GND)	green/yellow
11	Not used	–	Not used	–	–	–
12	RTD ref/GND	bare shield	RTD ref/GND	white	–	–
13	RTD sense	red	RTD sense	–	–	–
14	RTD	green	RTD	green	–	–
15	Not used	–	Not used	–	–	–
16	5V output	–	5 V output	–	–	–

- 1) For third party Cond 2-e sensors a jumper between 1 and 3 may be required.
- 2) For third party Cond 2-e sensors a jumper between 7 and 8 may be required.
- 3) Grey wire not used.
- 4) Install jumper between 7 and 8 for ORP sensors and pH electrodes without SG.
- 5) Blue wire for electrode with SG.

**M800 1-channel: TB2 – Terminal Assignment for Oxygen Sensors – Analog Sensors**

Terminal		InPro 6800	InPro 6900	InPro 6950
TB2	Function	Color	Color	Color
1	Not used	–	–	–
2	Not used	–	–	–
3	Anode	red	red	red
4	Anode	– <sup>1)</sup>	– <sup>1)</sup>	–
5	Reference	– <sup>1)</sup>	– <sup>1)</sup>	blue
6	Not used	–	–	–
7	Not used	–	–	–
8	Guard	–	grey	grey
9	Cathode	transparent	transparent	transparent
10	Shield (GND)	green/yellow	green/yellow	green/yellow
11	Not used	–	–	–
12	NTC ref (GND)	white	white	white
13	Not used	–	–	–
14	NTC	green	green	green
15	Not used	–	–	–
16	5 V output	–	–	–

1) Install jumper between 4 and 5 for InPro 6800 and InPro 6900.

**M800 1-channel: TB3 – Terminal Assignment for Oxygen, CO<sub>2</sub>, Conductivity, pH and Turbidity – ISM Sensors**

Terminal		Optical Oxygen, CO <sub>2</sub> hi	UniCond 2-e <sup>1)</sup> , UniCond 4-e <sup>1)</sup>	pH, Amp. Oxygen, CO <sub>2</sub> , and Cond 4-e	Turbidity (InPro 8600 i/D1, InPro 8600 i/D3)	
TB3	Function	VP8 cables: wire color	5-pin cables: wire color	Cables: wire color	Cables: wire color	
1	1-Wire	–	–	–	transparent (cable core)	
2	GND5V	green/yellow	grey	–	red	green/yellow
3	RS485B	brown	blue	black	–	green
4	RS485A	pink	white	red	–	yellow
5	GND5V	–	yellow	white	–	–
6	5V	–	–	blue	–	–
7	24V	grey	brown	–	–	brown
8	GND24V	blue	black	–	–	white
9	Not used	–	–	–	–	–
10	Not used	–	–	–	–	–
11	Not used	–	–	–	–	–
12	Not used	–	–	–	–	–
13	Not used	–	–	–	–	–
14	Not used	–	–	–	–	–
15	Not used	–	–	–	–	–
16	Not used	–	–	–	–	–

1) Transparent wire not connected.

**M800 2-channel and 4-Channel: TB2 and TB4 – Terminal Assignment for Oxygen, Conductivity, pH and Ozone – ISM Sensor**

Terminal	TB2 (ISM Ch1, 2)	TB4 (ISM Ch3, 4)	Optical Oxygen <sup>1)</sup> , CO2 hi <sup>1)</sup>		UniCond 2-e <sup>2)</sup>	pH, Amp. Oxygen, CO2, Cond 4-e and O3
	Function	Function	VP8 cables: wire color	5-pin cables: wire color	Cables: wire color	Cables: wire color
1	DI2+	DI6+	–	–	–	–
2	DI2–	DI6–	–	–	–	–
3	1-Wire_Ch1	1-Wire_Ch3	–	–	–	transparent (cable core)
4	GND5V_Ch1	GND5V_Ch3	–	–	–	red
5	RS485B_Ch1	RS485B_Ch3	–	–	black	–
6	RS485A_Ch1	RS485A_Ch3	–	–	red	–
7	GND5V_Ch1	GND5V_Ch3	–	–	white	–
8	5V_Ch1	5V_Ch3	–	–	blue	–
9	24V_Ch2	24V_Ch4	grey	brown	–	–
10	GND24V_Ch2	GND24V_Ch4	blue	black	–	–
11	1-Wire_Ch2	1-Wire_Ch4	–	–	–	transparent (cable core)
12	GND5V_Ch2	GND5V_Ch4	green/yellow	grey	–	red
13	RS485B_Ch2	RS485B_Ch4	brown	blue	black	–
14	RS485A_Ch2	RS485A_Ch4	pink	white	red	–
15	GND5V_Ch2	GND5V_Ch4	–	yellow	white	–
16	5V_Ch2	5V_Ch4	–	–	blue	–

1) Always one O2 optical or CO2 hi sensor can be connected to plug TB2 and TB4.

2) Transparent wire not connected.

## Transmitter overview

## Polycarbonate (PC) housing

Transmitter	Order no.	
	Process	Water
M800 1-channel	30 026 633	–
M800 2-channel	52 121 813	58 000 802
M800 4-channel	52 121 853	58 000 804
M800 DP 2-channel	–	58 000 806

## Stainless steel housing

Transmitter	Order no.	
	Process	Water
M800 1-channel	30 246 551	–
M800 2-channel	30 246 552	–
M800 4-channel	30 246 553	–
M800 DP 2-channel	–	–

## M800 parameter fit guide for 2-channel and 4-channel version

These versions are compatible with the following (digital) ISM and flow sensors.

Parameter	Water		Process <sup>1)</sup>	
	2-channel	4-channel	2-channel	4-channel
pH/ORP	•	•	•	•
pH/pNa	–	–	•	•
UniCond 2-e	•	•	•	•
Conductivity 4-e	•	•	•	•
Amp. Dissolved Oxygen ppm / ppb / trace	– / • / – <sup>3)</sup>	– / • / – <sup>3)</sup>	• / • / • <sup>2)</sup>	• / • / • <sup>2)</sup>
Amp. Oxygen gas ppm / ppb / trace	– / • / – <sup>3)</sup>	– / • / – <sup>3)</sup>	• / • / • <sup>2)</sup>	• / • / • <sup>2)</sup>
Optical Dissolved Oxygen	• <sup>3)</sup>	• <sup>3)</sup>	• <sup>2), 4)</sup>	• <sup>2), 3)</sup>
Dissolved Carbon Dioxide (InPro5000i)	–	–	•	•
CO <sub>2</sub> hi (InPro5500i)	–	–	• <sup>4)</sup>	• <sup>4)</sup>
TOC	•	•	–	–
Dissolved Ozone	•	•	–	–
Flow	•	•	–	–

1) Process models are provided with PC housing or stainless steel housing

2) INGOLD sensors

3) THORNTON sensors

4) 2-channel: An opt. dissolved sensor or a CO<sub>2</sub> hi sensor has to be connected to channel 2. 4-channel: Optical dissolved sensors and CO<sub>2</sub> hi sensors have to be connected to channel 2 and / or to channel 4.

**M800 parameter fit guide for 1-channel**

These version is compatible with the following (digital) ISM and analog sensors.

Parameter	Process <sup>1)</sup>	
	Analog	ISM
pH/ORP	•	•
pH/pNa	–	•
UniCond 2-e / UniCond 4-e	– / –	• / •
Conductivity 2-e / Conductivity 4-e	• / •	– / •
Amp. Dissolved Oxygen ppm / ppb / trace	• / • / • <sup>2)</sup>	• / • / • <sup>2)</sup>
Amp. Oxygen gas ppm / ppb / trace	• / • / • <sup>2)</sup>	• / • / • <sup>2)</sup>
Optical Dissolved Oxygen	–	• <sup>2)</sup>
Dissolved Carbon Dioxide (InPro5000i)	–	•
CO <sub>2</sub> hi (InPro5500i)	–	•
Turbidity	• (backscatter)	•

1) Process models are provided with PC housing or stainless steel housing  
 2) INGOLD sensors

**Accessories**

Description	Order no.
Pipe Mount Kit for 1/2 DIN models (PC and stainless steel housing)	52 500 212
Panel Mount Kit for 1/2 DIN models (PC housing)	52 500 213
Wall Mount Kit for 1/2 DIN models (PC and stainless steel housing)	30 300 482
Protective Hood	300 733 28

## METTLER TOLEDO Market Organizations

### Sales and Service:

#### Australia

Mettler-Toledo Limited  
220 Turner Street  
Port Melbourne, VIC 3207  
Australia  
Phone +61 1300 659 761  
e-mail info.mtaus@mt.com

#### Austria

Mettler-Toledo Ges.m.b.H.  
Laxenburger Str. 252/2  
AT-1230 Wien  
Phone +43 1 607 4356  
e-mail prozess@mt.com

#### Brazil

Mettler-Toledo Ind. e Com. Ltda.  
Avenida Tamboré, 418  
Tamboré  
BR-06460-000 Barueri/SP  
Phone +55 11 4166 7400  
e-mail mtbr@mt.com

#### Canada

Mettler-Toledo Inc.  
2915 Argenta Rd #6  
CA-ON L5N 8G6 Mississauga  
Phone +1 800 638 8537  
e-mail ProlnsideSalesCA@mt.com

#### China

Mettler-Toledo International Trading  
(Shanghai) Co. Ltd.  
589 Gui Ping Road  
Cao He Jing  
CN-200233 Shanghai  
Phone +86 21 64 85 04 35  
e-mail ad@mt.com

#### Croatia

Mettler-Toledo d.o.o.  
Mandlova 3  
HR-10000 Zagreb  
Phone +385 1 292 06 33  
e-mail mt.zagreb@mt.com

#### Czech Republic

Mettler-Toledo s.r.o.  
Trebohosticka 2283/2  
CZ-100 00 Praha 10  
Phone +420 2 72 123 150  
e-mail sales.mtcz@mt.com

#### Denmark

Mettler-Toledo A/S  
Naverland 8  
DK-2600 Glostrup  
Phone +45 43 27 08 00  
e-mail info.mtdk@mt.com

#### France

Mettler-Toledo  
Analyse Industrielle S.A.S.  
30, Boulevard de Douaumont  
FR-75017 Paris  
Phone +33 1 47 37 06 00  
e-mail mtpro-f@mt.com

#### Germany

Mettler-Toledo GmbH  
Prozeßanalytik  
Ockerweg 3  
DE-35396 Gießen  
Phone +49 641 507 444  
e-mail prozess@mt.com

#### Great Britain

Mettler-Toledo LTD  
64 Boston Road, Beaumont Leys  
GB-Leicester LE4 1AW  
Phone +44 116 235 7070  
e-mail enquire.mtuk@mt.com

#### Hungary

Mettler-Toledo Kereskedelmi KFT  
Teve u. 41  
HU-1139 Budapest  
Phone +36 1 288 40 40  
e-mail mthu@axelero.hu

#### India

Mettler-Toledo India Private Limited  
Amar Hill, Saki Vihar Road  
Powai  
IN-400 072 Mumbai  
Phone +91 22 2857 0808  
e-mail sales.mtin@mt.com

#### Indonesia

PT. Mettler-Toledo Indonesia  
GRHA PERSADA 3rd Floor  
Jl. KH. Noer Ali No.3A,  
Kayuringin Jaya  
Kalimalang, Bekasi 17144, ID  
Phone +62 21 294 53919  
e-mail  
mt-id.customersupport@mt.com

#### Italy

Mettler-Toledo S.p.A.  
Via Vialba 42  
IT-20026 Novate Milanese  
Phone +39 02 333 321  
e-mail  
customercare.italia@mt.com

#### Japan

Mettler-Toledo K.K.  
Process Division  
6F Ikenohata Nisshoku Bldg.  
2-9-7, Ikenohata  
Taiko-ku  
JP-110-0008 Tokyo  
Phone +81 3 5815 5606  
e-mail helpdesk.ing.jp@mt.com

#### Malaysia

Mettler-Toledo (M) Sdn Bhd  
Bangunan Electroscon Holding, U 1-01  
Lot 8 Jalan Astaka U8/84  
Seksyen U8, Bukit Jelutong  
MY-40150 Shah Alam Selangor  
Phone +60 3 78 44 58 88  
e-mail  
MT-MY.CustomerSupport@mt.com

#### Mexico

Mettler-Toledo S.A. de C.V.  
Ejército Nacional #340  
Polanco V Sección  
C.P. 11560  
MX-México D.F.  
Phone +52 55 1946 0900  
e-mail mt.mexico@mt.com

#### Norway

Mettler-Toledo AS  
Ulvenveien 92B  
NO-0581 Oslo Norway  
Phone +47 22 30 44 90  
e-mail info.mtn@mt.com

#### Poland

Mettler-Toledo (Poland) Sp.z.o.o.  
ul. Poleczki 21  
PL-Q2-822 Warszawa  
Phone +48 22 545 06 80  
e-mail polska@mt.com

#### Russia

Mettler-Toledo Vostok ZAO  
Sretenskij Bulvar 6/1  
Office 6  
RU-101000 Moscow  
Phone +7 495 621 56 66  
e-mail inforus@mt.com

#### Singapore

Mettler-Toledo (S) Pte. Ltd.  
Block 28  
Ayer Rajah Crescent #05-01  
SG-139959 Singapore  
Phone +65 6890 00 11  
e-mail  
mt.sg.customersupport@mt.com

#### Slovakia

Mettler-Toledo s.r.o.  
Hattalova 12/A  
SK-831 03 Bratislava  
Phone +421 2 4444 12 20-2  
e-mail predaj@mt.com

#### Slovenia

Mettler-Toledo d.o.o.  
Pot heroja Trtnika 26  
SI-1261 Ljubljana-Dobrunje  
Phone +386 1 530 80 50  
e-mail keith.racman@mt.com

#### South Korea

Mettler-Toledo (Korea) Ltd.  
1 & 4F, Yeil Building 21  
Yangjaecheon-ro 19-gil  
Seocho-Gu  
Seoul 06753 Korea  
Phone +82 2 3498 3500  
e-mail Sales\_MTKR@mt.com

#### Spain

Mettler-Toledo S.A.E.  
C/Miguel Hernández, 69-71  
ES-08908 L'Hospitalet de Llobregat  
(Barcelona)  
Phone +34 902 32 00 23  
e-mail mtemkt@mt.com

#### Sweden

Mettler-Toledo AB  
Virkesvägen 10  
Box 92161  
SE-12008 Stockholm  
Phone +46 8 702 50 00  
e-mail sales.mts@mt.com

#### Switzerland

Mettler-Toledo (Schweiz) GmbH  
Im Langacher, Postfach  
CH-8606 Greifensee  
Phone +41 44 944 47 60  
e-mail ProSupport.ch@mt.com

#### Thailand

Mettler-Toledo (Thailand) Ltd.  
272 Soi Soonvijai 4  
Rama 9 Rd., Bangkokpi  
Huay Kwang  
TH-10320 Bangkok  
Phone +66 2 723 03 00  
e-mail  
MT-TH.CustomerSupport@mt.com

#### Turkey

Mettler-Toledo Türkiye  
Haluk Türksoy Sokak No: 6 Zemin ve 1.  
Bodrum Kat 34662 Üsküdar-Istanbul, TR  
Phone +90 216 400 20 20  
e-mail sales.mttr@mt.com

#### USA

METTLER TOLEDO  
Process Analytics  
900 Middlesex Turnpike, Bld. 8  
Billerica, MA 01821, USA  
Phone +1 781 301 8800  
Freephone +1 800 352 8763  
e-mail mtprous@mt.com

#### Vietnam

Mettler-Toledo (Vietnam) LLC  
29A Hoang Hoa Tham Street, Ward 6  
Binh Thanh District  
Ho Chi Minh City, Vietnam  
Phone +84 8 35515924  
e-mail  
MT-VN.CustomerSupport@mt.com



Management System  
certified according to  
ISO 9001 / ISO 14001

Subject to technical changes.  
12/2016. © Mettler-Toledo GmbH  
Printed in Switzerland. 52 121 822

Mettler-Toledo GmbH, Process Analytics  
Im Hackacker 15, CH - 8902 Urdorf, Switzerland  
Phone + 41 44 729 62 11, Fax +41 44 729 66 36

[www.mt.com/pro](http://www.mt.com/pro)