

Lumiglas Luminaires Lumistar-LED

Sizes: 80, 100, 125, 150, 175, 225

For use on circular sight glass fittings:

For combination of sight glass and light glass.
Suitable for circular sight glass fittings to DIN 28120 or similar, DN 50 to DN 200

Application:

For illumination of internals of pressure vessels, tanks, bunkers, silos, stirred vessels and other normally enclosed containers in non explosion hazardous areas.
Suitable for use in food processings.

Protection:

When correctly fitted, dust and water jet tight to IP 65 and EN 60 529/DIN VDE 0470 part 1.

Max. permissible ambient temperature measured at cable entry gland: 45°C

Caution: Do not look into light – danger of impaired eyesight!

Electrical Data:

- Power supply: 24 V AC/DC, 120-230 V AC
- Power: depending on type 5 W to 15 W LED
- Colour temperature: see table
- Luminous flux: see table

Reflected beam angle:

Lumistar 80-LED to Lumistar 175-LED: 18° or 25°
Lumistar 225-LED: 11° or 26°

Transformers or power supplies for 230 V AC/24 V are available on request.

Mechanical installation:

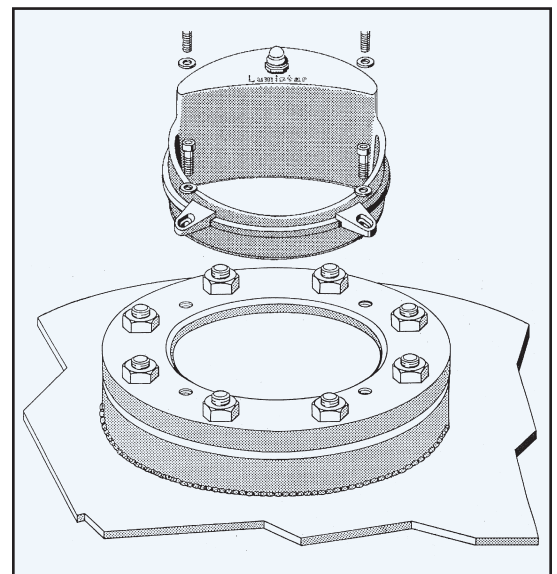
- Before commencing installation please read information sheet 'Important guidelines for mounting sight glass fittings...!'
- Caution: Do not look into light – danger of impaired eyesight!
- The luminaire is attached to the mating flange of the circular sight glass unit by two or four bolts. A ring gasket with bridge provides the seal between luminaire and sight glass disc.
- The fixing bolts (stainless steel A2) are part of the supply.

Electrical Connection:

- Sizes 80 to 225 are supplied with a factory-installed 3 m connection cable. Other cable lengths are available on request.
- The electrical connection is made via the connection cable, which is factory-connected in the luminaire.
- The Lumiglas luminaire Lumistar-LED is designed for continuous operation. It can also be supplied with a push button.

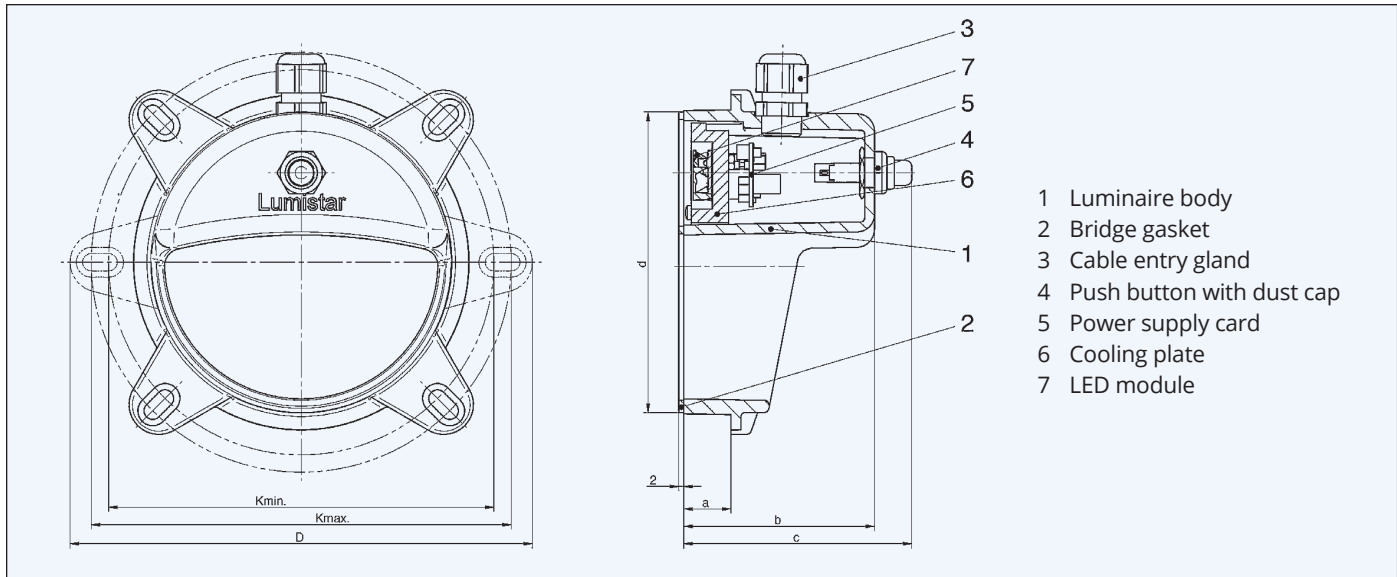


Lumistar Luminaires Lumistar-LED



Sight- and light glasses are combined: Lumiglas luminaire Lumistar-LED with fixing screws and sight glass fitting to DIN 28120 or similar, welded into a vessel wall

Dimensions and connecting data of Lumiglas Lumistar-LED



Parts, Construction and Materials:

- Luminaire body: Corrosion resistant die cast aluminium, Paint finish: RAL 9007

Lumistar-LED		1	2	3*	4*	5*	6*	7*
Size (= viewing diameter)		80	100	125	150	175	225	225
Matches to fitting to DIN 28120 or similar	DN	50	80	100	125	150	200	200
Operating voltage	V	24	24	24	24	24	24	230
Power	W	5	6	6	6 / 10	6 / 12	15 / 15 1x7 / 2x4 LED	15 / 15 1x7 / 2x4 LED
Bolt pitch circle Ø	K min.	104	126	155	180	208	258	258
	K max.	118	140	169	194	222	282	282
	D	135	157	186	211	243	303	303
	d	77	97	122	147	172	222	222
	a	13	17	19	22	27	32	32
	b	65	75	77	80	85	95	95
	c	80	90	92	95	100	110	110
Fixing oval hole		2 pcs. 14 x 7	2 pcs. 14 x 7	4 pcs. 14 x 7	4 pcs. 14 x 7	4 pcs. 16 x 9	4 pcs. 21 x 9	4 pcs. 21 x 9
Bolts		M 6 x 16	M 6 x 16	M 6 x 16	M 6 x 16	M 8 x 16	M 8 x 16	M 8 x 16
Weight appx.	kg	0.300	0.450	0.550	0.650	0.800	1.400	1.400
Luminous flux	lm	450	600	600	600/950	600/1200	800/1400	800/1400
Colour temp.	k	6500	6500	6500	6500	6500	5700	5700

*Can be combined with Lumiglas sight glass wiper SW I.