

# INFRARED TEMPERATURE THERMOMETER

Up to 20:1 Distance-to-Target Size Ratio, Thermocouple Input



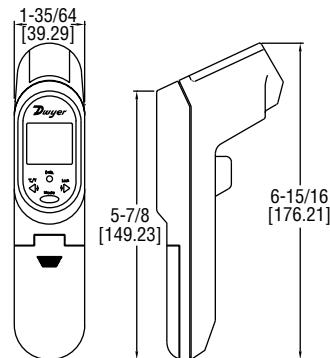
Scan here to watch product video



IR3



IR4



**THE MODEL IR3 AND IR4 INFRARED THERMOMETERS** utilize infrared technology for precise, non-contact temperature measurement. For standard applications, the 12:1 distance to target ratio on the IR3 provides accurate measurements within 2% of reading. When measuring smaller objects or at greater distances, the 20:1 distance to target ratio of the IR4 can provide measurements within 1% of reading. Both models have single point laser sighting for aligning the beam to the target. In addition, both models can display maximum, minimum, differential and average temperature measurements. Adjustable emissivity allows the thermometers to measure the temperature of most surfaces without any external calculations. A K-type thermocouple can plug into the handle of the thermometers in order to take surface and internal temperatures simultaneously. Audible alarms can be used to for safety checks.

MODEL CHART			
Model	Distance Ratio	Emissivity	T/C Input
IR3	12:1	Adjustable	Yes
IR4	20:1	Adjustable	Yes

## SPECIFICATIONS

- Measurement Range:** -76 to 932°F (-60 to 500°C).
- Operating Range:** Ambient: 32 to 122°F (0 to 50°C).
- Accuracy:** IR3: ±2% of reading or 4°F (2°C); IR4: ±1% of reading or 1.8°F (1°C), whichever is greater.
- Resolution:** 0.1°F/0.1°C.
- Response Time:** 1 s.
- Distance to Target:** IR3: 12:1; IR4: 20:1.
- Emissivity Range:** 0.95 adjustable; 0.5 to 1.0.
- Additional Input:** Type K.
- Power Requirements:** (2) AAA alkaline batteries, included, user replaceable.
- Battery Life:** 180 hours (without laser or LCD backlight).
- Weight:** 6.3 oz (179 g) with batteries.
- Agency Approvals:** CE.

Thermometers,  
Infrared