

setra^{lite}[™]

Visual Pressure Indicator

Features

- Simple single-room pressure indication for all pressurized healthcare spaces
- Saves preventive maintenance from manually checking each room
- Sleek and attractive single wall plate
- Simple to install in minutes
- Visual alarm via red/green light ring
- Silent operation, no audible alarm
- Offset light pipe that can be seen at an angle or down a hallway
- Digital display can be always-on or momentary
- Full configuration is easy, using just 3 buttons
- Analog output provides pressure reading to BMS system
- Works with Setra FLEX to serve rooms with multiple doors

Accurate measuring & display

Setra Lite provides a simple, cost-effective, and accurate way to measure and display room differential pressure in areas today that require manual verification. For local staff managing an area, Setra Lite has a light ring that is green or red, showing a clear indication of room conditions. For the facility manager, using Setra Lite means the frequency of preventative maintenance walk-by inspections can be reduced because Setra Lite is monitoring the space.

Setra Lite features

Setra Lite has many features found only in larger, more complex room pressure monitors. These include a bright light ring that can be seen at an angle or down a hallway, a digital display of the pressure value that is always-on or momentary, an alarm delay for door entry, and POS or NEG room mode. The Setra Lite sensor has Setra's accuracy and reliability you know you can trust.

Simple installation

Setra Lite is about the size of a standard light switch, and just as a simple to install. It fits in a single-gang US electrical box, international 86-box or international round back-box, and is powered by 24VAC or 24VDC. The reference side pressure pickup is integral with the Lite faceplate. An analog output provides the building management system with the pressure signal for any additional trending or alarming needed.

The Setra Lite also integrates seamlessly with the Setra FLEX environmental monitor. Mount Setra Lite at additional doors that enter the space, and use an on-screen badge to display its value.

Applications

- Sterile processing
- Sterile storage
- USP 800
- Laundry
- Endoscopy
- Bronchoscopy



Pressure indication



Simple green status



Red indicates alarm



Specifications

Physical description

Dimensions	3.42" W x 4.88"H x 1.83"D (67 mm x 124 mm x 46.5 mm)
Mounting	Single-gang US electrical box, China 86 box, European back box, or equivalent interior dimensions
Case	Fire-retardant plastic UL94 V-0
Weight	8 oz (0.5 lbs)
Display	Color: RGB, 65K Resolution: 128x160, backlight: LED
Alarm indication	Red illuminated LED light ring, 11mm standoff from faceplate, viewable at 90° angle from side

Performance

Accuracy ¹	±0.5% FS
Non-linearity (BFSL)	±0.44% FS
Hysteresis	±0.10% FS
Non-repeatability	0.5% Rdg
Thermal effects ²	
Zero shift %FS/°F (°C)	±0.033 (±0.06)
Span shift %FS/°F (°C)	±0.033 (±0.06)
Long-term stability	±0.5% FS per year
Overpressure	±1 PSI (15" WC for <0.10" WC FS)
Pressure media	Air or non-conductive, non-explosive gases
Pressure fittings	3/16" barbed fitting
Position	Can be mounted vertical or horizontal. Re-zero after installation

Environmental data

Operating temp. °F (°C)	32 to 120 (0 to 50)
Storage temp. °F (°C)	-20 to 160 (-30 to 70)
Operating humidity	5 to 95% RH (non-condensing)
Ingress protection (IP) rating	IP54

¹ RSS of non-linearity, non-repeatability, and hysteresis

² Units calibrated at nominal 70°F maximum thermal error computed from this datum

³ Zero tolerance negated by zero push button

⁴ Zero and span (FS) output factory set to within ±50mV

⁵ Zero and span (FS) output factory set to within ±100mV

⁶ Zero and span (FS) output factory set to within ±0.16mA

Display

Light ring	Green, red, or off
Numeric value	4 digits

Features

Re-zero	Single press-and-hold to re-zero sensor
Alarm thresholds	Set numeric threshold in "WC or Pa
Door delay	Set door alarm delay for 0-999 seconds
POS or NEG indicator	Set display to show POS, NEG, or off
Display on/off	Set display to always-on, or momentary press to show pressure value
Significant digits	1,2, or 3 after decimal point, POS or NEG
Light ring	Set LED ring to 1). steady green, steady red if alarm, 2). Green OFF, and steady red if alarm 3). always of
Units	Set units on the display to show "WC or Pa

Electrical

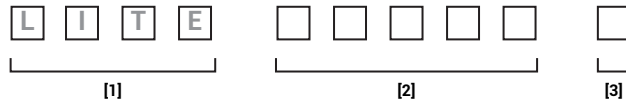
Power	24 VAC (+/-10%) 24VDC (18-32) 50-60 HZ
Power draw	2W max, 1W typical
Analog output ³	Set for 0-5V ⁴ , 0-10V ⁵ , or 4-20mA ⁶ signal
Wire	Stranded unshielded twisted-pair, 18-24 AWG
Terminals	Fixed, non-removable

Regulatory compliance

CE, RoHS

Ordering information

Example part number: LITE-R25WB-D



[1]

Model	
LITE	Setra Lite

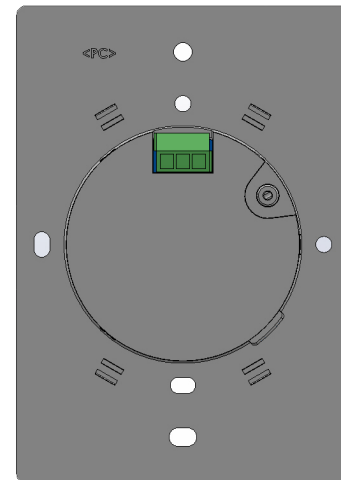
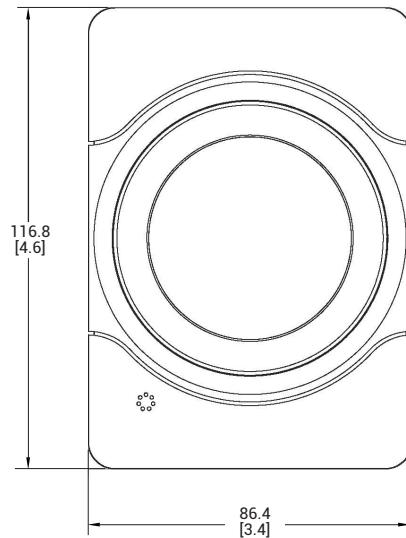
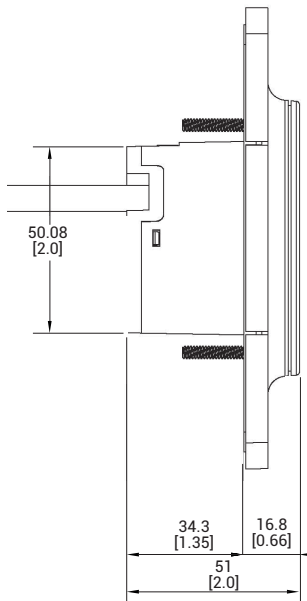
[2]

Transducer Range	
R25WB	±0.25" WC
OR5WB	±0.5" WC
001WB	±1" WC
050LB	±50 Pa
100LB	±100 Pa
250LB	±250 Pa

[3]

Accuracy	
D	±0.5% FS

Dimensions



Rear view of wiring/
pressure port



Setra Systems, Inc.
159 Swanson Road
Boxborough, MA 01719
800.257.3872
www.setra.com

© Setra Systems, Inc. All rights reserved.

The Setra Systems name and logo
are trademarks of Setra Systems, Inc.